

QUBICA  AMF

**CENTER SUPPLIES
&
LANE CARE**



FROM OPEN PLAY TO LEAGUE PLAY TO TOURNAMENTS, IT'S EASY TO CONDITION YOUR LANES YOUR WAY WITH QUBICAAMF.

Consider the advantages of QubicaAMF lane conditioning, cleaning and maintenance products and it's easy to see why thousands of center mechanics around the world consider them the best value for the money.

- **More ways to condition your lanes** – Condition your lanes for league play open play, or just higher scoring – you name it – and there's a long-lasting QubicaAMF lane conditioner that satisfies your customers, and protects your lanes.
- **No other lane care products are easier to use** – We formulate QubicaAMF lane conditioning, cleaning and maintenance products to be the easiest to use in the industry. Our lane conditioners don't even require shaking.
- **Consistency you and your bowlers can count on** – Bowlers depend on lane consistency; and you can depend on each long-lasting QubicaAMF conditioner to provide it. Day in and day out, season to season.
- **Proven products that prove themselves every day** – Our biggest customer, the world's largest chain – AMF Bowling Centers – uses QubicaAMF lane care products on over 14,000 lanes.

From approach to pin-deck, no one knows lane care better than we do at QubicaAMF, or provides more dependable service and support.



TABLE OF CONTENTS

CENTER SUPPLIES & LANE CARE

LANE CONDITIONING - UTOPIA	4
LANE CONDITIONING - REACTOR	5
LANE CONDITIONING - VISFLO	6
CONDITIONER SUPPLIES	6
LANE CLEANING	7
LANE CLEANING - DUSTER CLOTH	8
APPROACH MAINTENANCE	9
CENTER MAINTENANCE	10-11
LANE MAINTENANCE EQUIPMENT SUMMIT - MAGNUM - SILVER BULLET	12-14
LANE MAINTENANCE EQUIPMENT SUMMIT S - MANUAL - KITS	15
LANE MAINTENANCE EQUIPMENT EXPRESS	16
LANE MAINTENANCE EQUIPMENT CENTURY 100 - VLS - GEMINI - ULTRALITE	17-19
BUMPER PARTS	20-21
LANE PARTS	22-23
LANE FINISH PRODUCTS	24-25
LANE APPLICATORS & REFILLS	26
RESURFACING SUPPLIES	27
QUBICAAMF SMART BALLS	28-29
GLOWING ACCENT DUAL-SIZED	
RENTAL SHOES	30-31

Utopia

Utopia is designed for ultra performance, durability, and protection against particle enhanced balls under extreme conditions (e.g. high lineage, tournament play, and poor lane surfaces). It's easy to use. Utopia may be applied **through wickless machines or wick/pad machines equipped with tank heating systems**. Utopia is an ultra high viscosity, high lubricity, lane lubricant modified with synthetic additives. It provides the outstanding protection of an ultra high viscosity conditioner, while eliminating the negative side affects of "drag" on the bowling ball as is experienced in typical high viscosity lane conditioners. Utopia is homogenous, and **DOES NOT REQUIRE SHAKING**.



UTOPIA

UTOPIA	2 x 2.5 gal	294006095
UTOPIA	4 x 1 gal	294006094

REACTOR®

Easy to use. Very forgiving. Instant results.
 Each new formulation of Reactor is designed to achieve optimal ball reaction in the mid-lane for predictable, consistent scoring on any surface with any lane machine.
 Depending on the lane surface at your center, you'll want to choose one of these:

- Reactor LL (Low Lubricity)** Specifically designed for synthetic lanes, and harder lane finishes.
- Reactor ML (Medium Lubricity)** Specifically designed for most lane surfaces.
- Reactor HL (High Lubricity)** Specifically designed for softer wood finishes, severely worn lanes, and polymer film covered lanes.

Product Code	4 x 1 gallon	2 x 2.5 gallons
LL:	294006064	294006065
ML:	294006050	294006049
HL:	294006074	294006075

QubicaAMF realizes every center's lane conditioning needs are unique. While lane conditioners are often promoted as "recommended for all lane surfaces"; reality is that more often than not, these are only ideal for a select group of centers based on a variety of factors. To simplify the selection process, QubicaAMF's technical team with more than 100 years of combined lane care experience, developed Lanilyzer™ to determine which product is best suited for YOUR business. Call today for your FREE lane care analysis with Lanilyzer™.



Lanilyzer

1. Select "OPTIONS" in the blue fields / 2. Enter CONTACT INFORMATION / 3. Click "GENERATE PRINTOUT" button to view the report

Customer Types	Lane Surface	CONTACT INFORMATION
<input type="radio"/> Mainly RECREATIONAL bowlers <input checked="" type="radio"/> Mainly RECREATIONAL with some SPORT <input type="radio"/> Mainly SPORT with some RECREATIONAL <input type="radio"/> Majority are TOURNAMENT bowlers	<input checked="" type="radio"/> AMF HPL <input type="radio"/> Synthetic <input type="radio"/> Wood - 100% Solids finish <input type="radio"/> Wood - Moisture Cure Urethane <input type="radio"/> Wood - Water Based <input type="radio"/> Wood - AMF Mu <input type="radio"/> Guardian Overlay	Contact Name: Joe Bowler Bowling Center: QAMF Bowling Lanes Address 1: 123 Main Street Address 2: City: Mechanicsville State: VA Postal Code 23111 Country USA Phone: 866-460-7263 Email: joebowler@qamfbowl.com
Lane Machine Type <input type="radio"/> Century 100 <input type="radio"/> AMF Silver Bullet / Magnum <input checked="" type="radio"/> AMF Summit or HVO tanks <input type="radio"/> AMF wick with heat <input type="radio"/> Kegel Wick <input type="radio"/> Kegel Wick with heat <input type="radio"/> Wickless	Lineage Range <input type="radio"/> 20 <input type="radio"/> 25 <input checked="" type="radio"/> 30 <input type="radio"/> 40 <input type="radio"/> 50 <input type="radio"/> 60	<div style="border: 2px solid black; padding: 10px; display: inline-block; font-weight: bold; font-size: 1.2em;"> GENERATE PRINTOUT </div>
Surface Condition <input checked="" type="radio"/> Normal <input type="radio"/> Poor		

QUBICAAMF
 THE POWER OF PARTNERSHIP
www.qubicaamf.com • info@qubicaamf.com

LANE CONDITIONING - VISFLO

VISFLO® 12.7



100% solids lane conditioners don't have to have a high viscosity. Visflo 12.7 is a low viscosity lane conditioner for centers that want to use a traditional style lane conditioner but without the volatile solvents that degrade your lane condition.

Product Code 294006040 2 x 2.5 gallons
294006039 4 x 1 gallon

VISFLO® 19.5



Medium viscosity 100% solids lane conditioner designed for use in both wick and wickless conditioning machines. Excellent conditioner pattern durability, minimal carry down.

Product Code 294006004 2 x 2.5 gallons
294006025 4 x 1 gallon

VISFLO® 32.5



High viscosity 100% solids lane conditioner for use in both wick and wickless conditioning machines. Excellent conditioner pattern durability, minimal carry down.

Product Code 294006009 2 x 2.5 gallons
294006026 4 x 1 gallon

VISFLO® 39.0



100% solids super high viscosity lane conditioner. For use in both wick and wickless conditioning machines. Excellent conditioner pattern durability, minimal carry down. Highest viscosity conditioner for a wick machine.

Product Code 294006042 2 x 2.5 gallons
294006041 4 x 1 gallon

VISFLO® 48.5



Ultra-high viscosity 100% solids lane conditioner for use with wickless conditioning machines. Highly durable, tenacious conditioner with minimal carry down. If you're using a wickless conditioning machine, this is the lane conditioner you should be using.

Product Code 294006032 2 x 2.5 gallon
294006031 4 x 1 gallon

CONDITIONER SUPPLIES

LANE CONDITIONER MIXING CONTAINER



If you mix lane conditioners, you should mix them accurately. The Quibica AMF lane conditioner mixing vessel eliminates messy mixing and organizes storage and dispensing of your unique conditioner blends. Holds 5 gallons.

Product Code 294080111

CONDITIONER	VISCOSITY	SURFACE TENSION	WICK MACHINES	WICKLESS MACHINES
Reactor	Variable	34	Yes	Yes
Visflo 12.7	12.7	31.8	Yes	Yes
Visflo 19.5	19.5	32.6	Yes	Yes
Visflo 32.5	32.5	33.8	Yes	Yes
Visflo 39.0	39.0	34.1	Yes	Yes
Visflo 48.5	48.5	34.6	No	Yes

FORMULA ACC®



Formula ACC is an All Conditioner Cleaner specifically formulated to remove today's hi-tech lane conditioners from the lane surface. Formula ACC's dual action cleansing attacks a wide variety of oils and synthetic components found in today's conditioners. Formula ACC is only recommended for vacuum stripping and may be diluted as high as 10:1 depending upon each center's specific needs.

Product Code **294006047** **2 x 2.5 gallons**
 294006052 **30 gallon drum**
 294007039 **Drum Pump**

FORMULA 388®

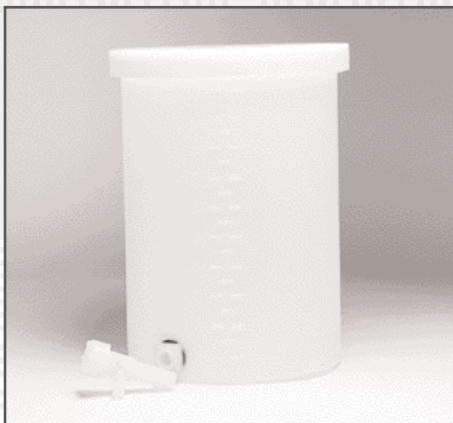


Specially formulated non-butyl cleaner designed for use when vacuum stripping lanes. Works with all vacuum lane strippers. Designed for an initial mix ratio of 1 part Formula 388 to 8 parts water.

Product Code **294006021** **2 x 2.5 gallons**
 294006022 **30 gallon drum**
 294007039 **Drum Pump**

CLEANER SUPPLIES

LANE CLEANER MIXING CONTAINER



Take advantage of the savings this container will bring by accurately mixing your lane cleaners with water. Provides for neat, clean storage and dispensing. Holds 10 gallons.

Product Code **294080107**

VISCLEAN CONCENTRATE



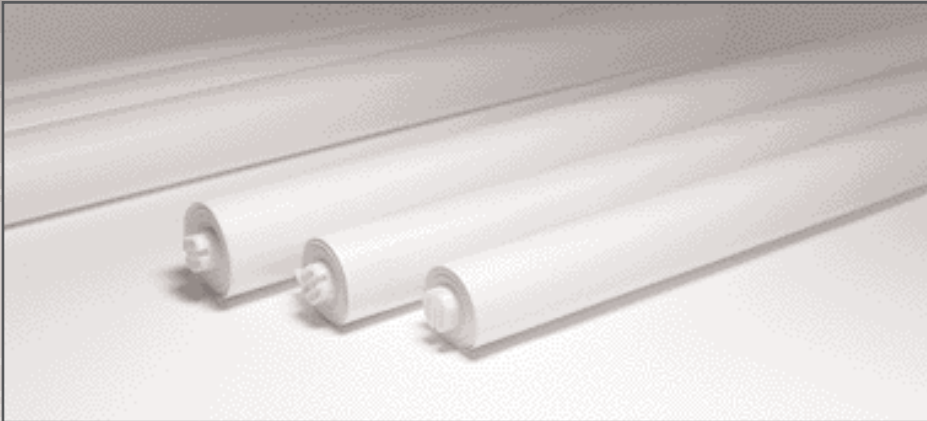
Specially formulated cleaner concentrate designed for use when vacuum stripping lanes. Works with all vacuum lane strippers. Initial mix ratio of 1 part VisClean to 10 parts water. You won't find a stronger cleaner and you'll save on freight.

Product Code **294006033** **Box of 6 quarts A & 6 quarts B**

CLEANER	VACUUM STRIPPING	MANUAL STRIPPING
Formula ACC	Yes	No
VisClean Concentrate	Yes	No
Formula 388®	Yes	Yes

LANE CLEANING - DUSTER & CLEANING CLOTH

MAGIC TRIANGLE DUSTER CLOTH AND CLEANING CLOTH



40 1/2" wide cloth, wooden core and nail drive, 33 1/3 yards per roll, 3 rolls per carton. Fits all maple dusters.

Product Code 294008400

40 1/2" wide cloth, wooden core and metal drive end, 33 1/3 yards per roll, 3 rolls per carton. Fits K&B Lane Dusters and Perry Austen Magic Lane Duster.

Product Code 294008410

42" wide cloth, wooden core and drive end, 33 1/3 yards per roll, 3 rolls per carton. Fits AMF Unimatic machines, AMF 42" Lane Duster and AMF Super Duster.

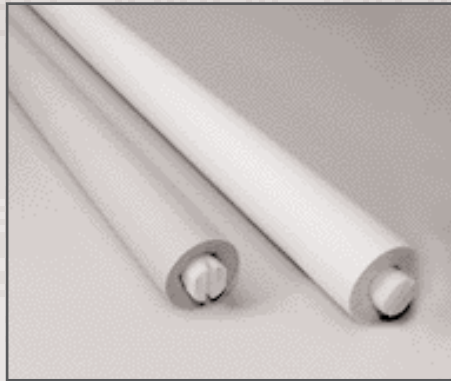
Product Code 294008423

43" wide cloth, wooden core and drive end, 33 1/3 yards per roll, 3 rolls per carton. Fits DBA Lane Runner, DBA Aluminum Dusters and DBA Lane Maid.

Product Code 294008430

43" wide cloth, plastic core and drive end, 33 1/3 yards per roll, 3 rolls per carton. Fits 44" AMF and older Brunswick lane dusters.

Product Code 294844142



43" wide cloth, plastic core and drive end, 25 yards per roll, 4 rolls per carton. **Fits all QubicaAMF Century Machines and Hot Dusters®**, Perry Austen Champion, Pierce & Stevens Lane Pro Duster, new Brunswick Lane Duster, DBA Lanewalker and Excel.

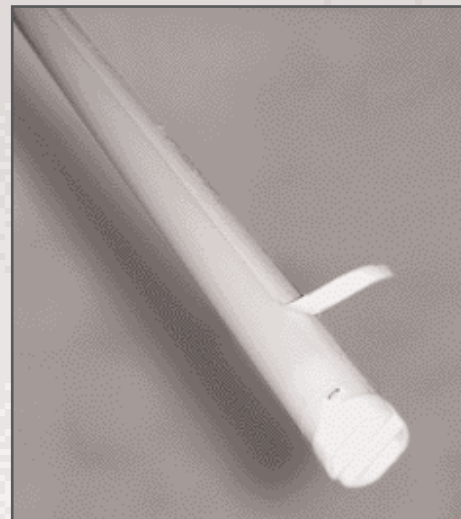
Product Code 294008443

CLEANING CLOTH

43" wide cloth, plastic core and drive end, 17 yards per roll, 4 rolls per carton. Fits DBA and Kegel made machines.

Product Code 294008460

REUSABLE PLASTIC CORE

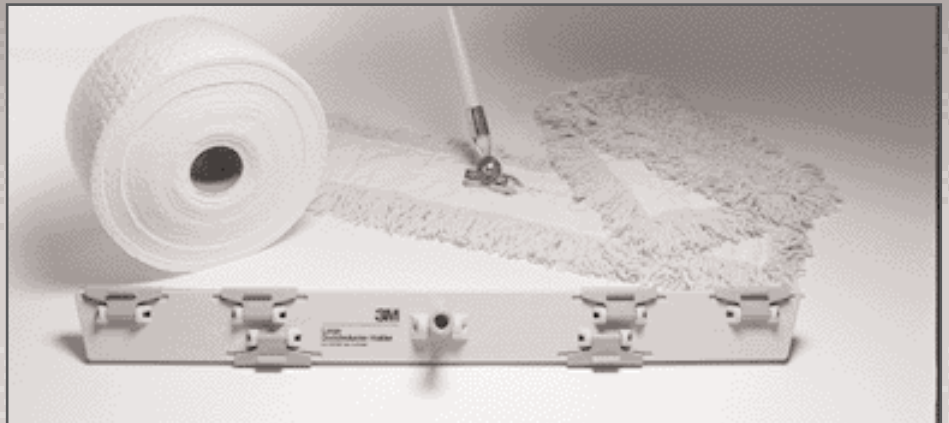


Each roll of Magic Triangle duster cloth comes on a reusable plastic core with double face tape for easy trouble-free take-up. Use this plastic core as your take-up roller, and throw the whole dirty roll away! No more unraveling or cutting off old, dirty, oily cloth.

CLOTH PART #	WIDTH	CORE/DOWEL	
294008400	40 1/2"	Wood with nail drive	
294008410	40 1/2"	Wood with metal drive end	
294008423	42"	Wood	
294008430	43"	Wood	
294844142	43"	Plastic	
294008443	43"	Plastic	
294008460 Cleaning Cloth	43"	Plastic	



APPROACH SUPPLIES



3M™ Doodleduster™ Dusting Tool
 Convenient and efficient to use, the Doodleduster uses disposable cloth for dusting approaches. Replacement cloth has 250 sheets per roll. Does not include handle. Recommend using QubicaAMF's Multi-Use Telescoping Handle, Product Code 294007091.

Product Code 294007040
294007042 Replacement Cloth

36" Approach Mop
 Simple design with machine washable mop head.

Product Code 294007059 Mop
294007060 Refill

APPROACH CONDITIONER

SURE SLIDE



Spray on and buff approach conditioner specially formulated to improve bowler slide on synthetic approaches. Recommend using Buffing Pad, 294007090 with Rotary Floor Machine for easy application. Not for use on wood approaches.

Product Code 294007038 2.5 gallon

APPROACH CLEANERS

APPROACH SPOT CLEANER



Solvent style liquid approach spot cleaner for all approach types.

Product Code 294007037 1 gallon

3M™ TROUBLE SHOOTER



Aerosol approach cleaner ideal for spot cleaning synthetic approaches. (May be substituted for similar product).

Product Code 049006638 21 oz.

GENERAL SUPPLIES



LANE & GUTTER MOP

Cleans and dusts lane and gutters at the same time. Removable, washable mop head.

Product Code 041003722 mop
041003711 refill

GUTTER MOP

Cleans and dusts gutters. Comes with one removable, washable mop head. 60" handle.

Product Code 041003921 mop
041003911 refill

LANE BRUSH

Full width lane brush for sweeping the entire lane at one time. 42" wide brush head.

Product Code 041003542

LANE TOWEL

Replacement towel for Strip 'N Dust and for general lane maintenance.

Product Code 294118237

MULTI-USE TELESCOPING HANDLE

For 3M™ Doodleduster, brooms, mops and other general center maintenance items, this new adjustable-length aluminum handle makes cleaning hard-to-get-at places much easier. Adjust its length according to the job, the tool, or the worker's size.

Product Code 294007091

PIN FORK

Product Code B158100

HANDY SPRAYER – HUDSON

For centers that want to spray extra lane conditioner on the heads of their lanes, the Hudson sprayer is the time proven answer. Holds 2 quarts of conditioner.

Product Code 730025000

ROTARY FLOOR MACHINE



20" Rotary Floor Machine with brush. Can be used for floor or lane maintenance. Equipped with special contour handle and heavy-duty power cord. Comes with bassine brush.

Product Code 041007400 115 volt, 50/60 hz.
041740096 230 volt, 50/60 hz.

BASSINE BRUSH

Soft bristle brush for lane and general bowling center maintenance.

Product Code 294007061

ROTARY PAD AND SANDSCREEN DRIVE HEAD

Driver assembly for rotary pads and sand paper.

Product Code 081001087

ROTARY SANDING SUPPLIES

3M™ Brand Black Thick Line Stripper Pads.

Product Code 294007006-1 18" diameter
294007006-2 19" diameter

3M™ Brand Natural Blend Tan Floor Pads.

Product Code 294007007-1 18" diameter

BUFFING PAD

Loop cloth pad ideal for use with rotary floor machine to clean and buff synthetic approaches. Pad provides better performance than other types of material and is extremely durable. Machine washable.

Product Code 294007090

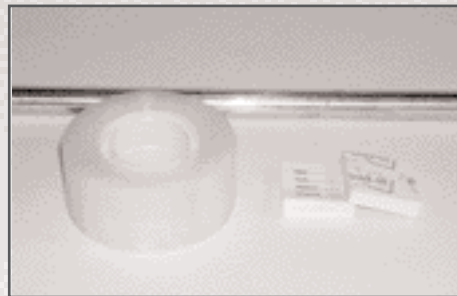
BOWLING CENTER VACUUM



This wet or dry vacuum is strong, convenient and comes complete with 10' crushproof hose, two piece extension wand, squeegee tool, floor brush, crevice tool and rug tool. Fifteen gallon tank, no-stoop handle, 25' safety cord and non-marking wheels make this vacuum ideal for all around bowling center use.

Product Code 045007200 110 volt, 60 hz.
045720096 220 volt, 50 hz.

TAPE READER SUPPLIES



3M™ LANE TAPE

Official tape used with tape pick-up units to monitor lane conditions and lane patterns. 1" wide x 36 yds long.

Product Code 294004057 roll

LANE MONITOR® CALIBRATION KIT

Product Code 61860162000

SELF-ADHESIVE LANE TAPE EDGE MARKER TABS

Self-adhesive pads of white lane edge markers pre-printed with date, lane number, lane distance and lane machine program number lines. No more cutting white tape to size. Specially made to be released from the lane and captured by the 3TM lane tape. 50 sheets per pad. 10 pads.

Product Code 294110947

ALUMINUM TAPE PUSH ROD

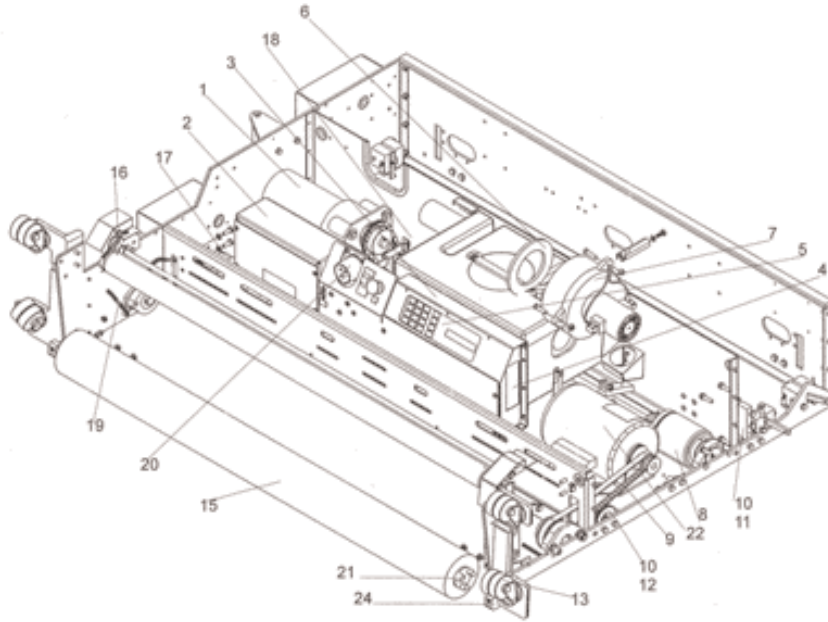
Replaces wood push rod supplied with the lane monitor tape pick-up unit. During use, the wood rod may break, particularly when using heavy pressure to read high units of oil. Sturdy, durable rod is designed to provide years of use.

Product Code 294110946

UV BULB TAPE READER

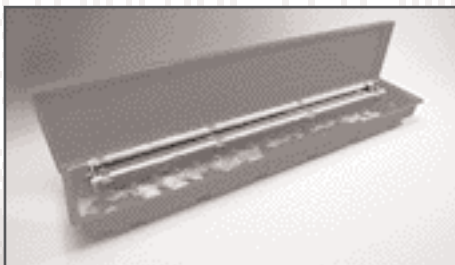
Product Code 61100060-000

LANE MAINTENANCE EQUIPMENT SUMMIT - MAGNUM - SILVER BULLET



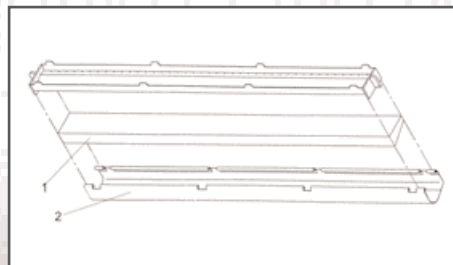
DRAWING#	PART	DESCRIPTION
1a	02770	Drive Motor 110V Summit / Magnum
1b	02786	Drive Motor 220V Summit / Magnum
1c	02526	Drive Motor 110V Silver Bullet
1d	02256	Drive Motor 220V Silver Bullet
2a	SA0250	Speed Control Box 110V New
	780250	Speed Control Box 110V Rebuilt
2b	SA0260	Speed Control Box 220V New
	780260	Speed Control Box 220V Rebuilt
3a	294002072	Summit Control Box New
	522942072	Summit Control Box Rebuilt
3b	SA0247	Magnum / SB Control Box New
	780247	Magnum / SB Control Box Rebuilt
4	SA0249	Relay Board New Summit / Magnum
	780249	Relay Board Rebuilt Summit / Magnum
	02375	Relay Board Silver Bullet
5	294002127	Control Box Overlay
6	A8307	Tank Seal
7a	02214	Vacuum Motor 110V
7b	02255	Vacuum Motor 220V
8	294115404	Drive Wheel (Universal)
9	03099	Buffer Drive Belt
10a	294002011	Guide Roller Assembly Summit
10b	294002016	Guide Roller Shaft Summit
10c	294002025	Guide Spring Summit
11a	A5530	Front Guide Roller Shaft Magnum
11b	SA1006	Front Guide Roller Magnum
11c	A0030	Front Guide Roller Spring Magnum
12a	A0022	Guide Roller Shaft Magnum
12b	SA1005	Guide Roller Magnum
12c	A0024	Guide Roller Spring Magnum
13	04292	Dual Caster w/ dust cap
14	A0586	Pivot Caster Block
15	SA1182	Buffer Brush Assembly
16	A0583	Roller Spring
17	02767	Transfer Roller Motor
18	SA1205	Counter Wheel Assembly (not show)
19	A0409	Buffer Return Spring
20	294002218	Panel Mount Power Inlet
21	A0420	Brush Drive
22	RP107	Buffer Motor 110V
22a	RP186	Buffer Motor 220V
n/a	294002359	Power Cord Assembly Newer Summit
n/a	294002219	Connector Body Newer Summit

CLEANER PAD STORAGE TANK



Product Code SA 0305

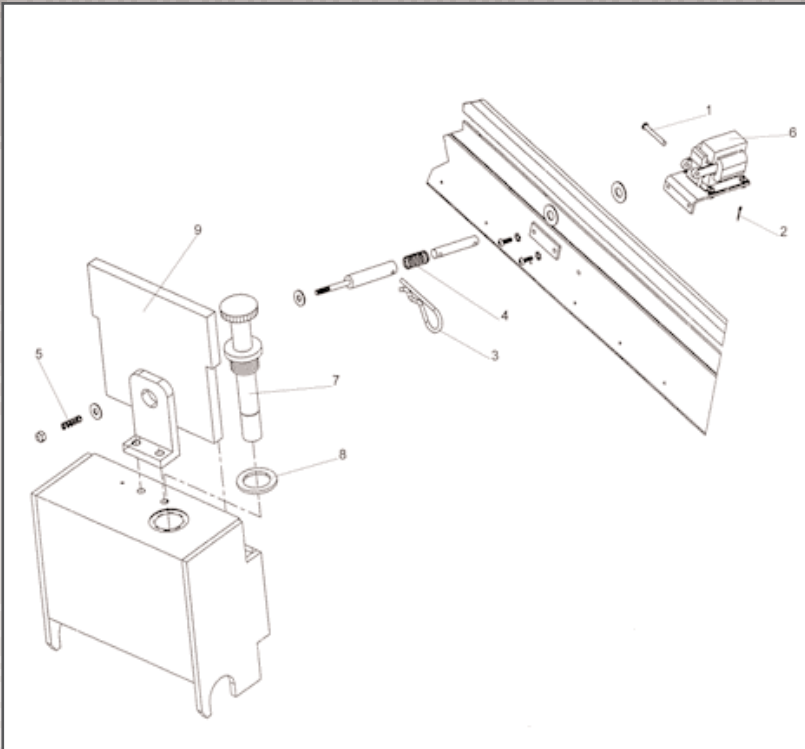
CLEANER PAD ASSEMBLY



1	B8032	Cleaner Foam Pad Summit /Mag/SB
	294005099	Cleaner Pad Upgrade Kit Replacement Foam
2	C0776	Cleaning Fabric Summit / Mag
	SA8527	Cleaning Fabric Velcro
	294005098	Cleaner Pad Upgrade Kit Replacement Fabric

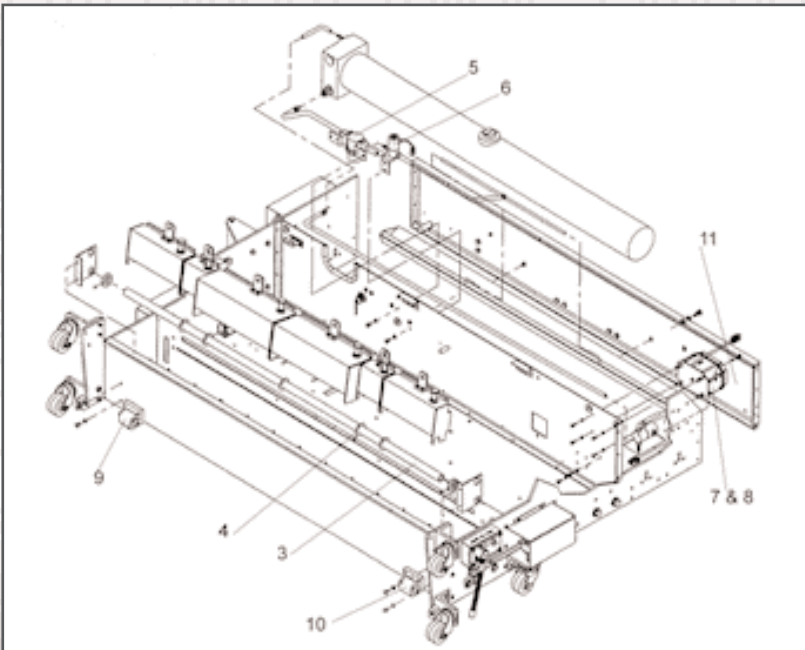
OIL TANK ASSEMBLY

DRAWING #	PART	DESCRIPTION
1	01038	3/16 Dia x 1 1/2 Clevis Pin
2	01080	1/16 Dia x 1/2 Cotte Pin
3	294001007	Hitch Pin
4	294002174	Oil Tank Linkage Spring
5	A5038	Oil Tank Return Spring
6	294002031	Solenoid 110v Machine
	294002276	Solenoid 220v Machine
7	SA0213	Dipstick
8	04093	Viton Washer
9a	294115489	Super High Flow Replacement Foam Black 48"
9a	294115487	Hight Flow Replacement Foam Blue 48"
9a	294115485	Medium-Hight Flow Replacement Foam Red 48"
9a	294115483	Low-Medium Flow Replacement Foam Orange 48"
9a	294115482	Low Flow Replacement Foam Natural 48"
9b	612551001	Standard Foam Wick Kit (7-3-10 tank Config.)
9c	A0998C	Grey High Flow Wick 3"
9c	A0998D	Grey High Flow Wick 4"
9c	A0998E	Grey High Flow Wick 5"
9c	A0998F	Grey High Flow Wick 6"
9c	A0998G	Grey High Flow Wick 7"
9c	A0998J	Grey High Flow Wick 10"
9d	294080127	HVO Wick Kit-two 10" grey high flow, two 7" foam wicks & two 3" foam wicks.
NEW	294080200	Foam Wick Cutting Template. Precisely cuts foam wicks to the proper contour.

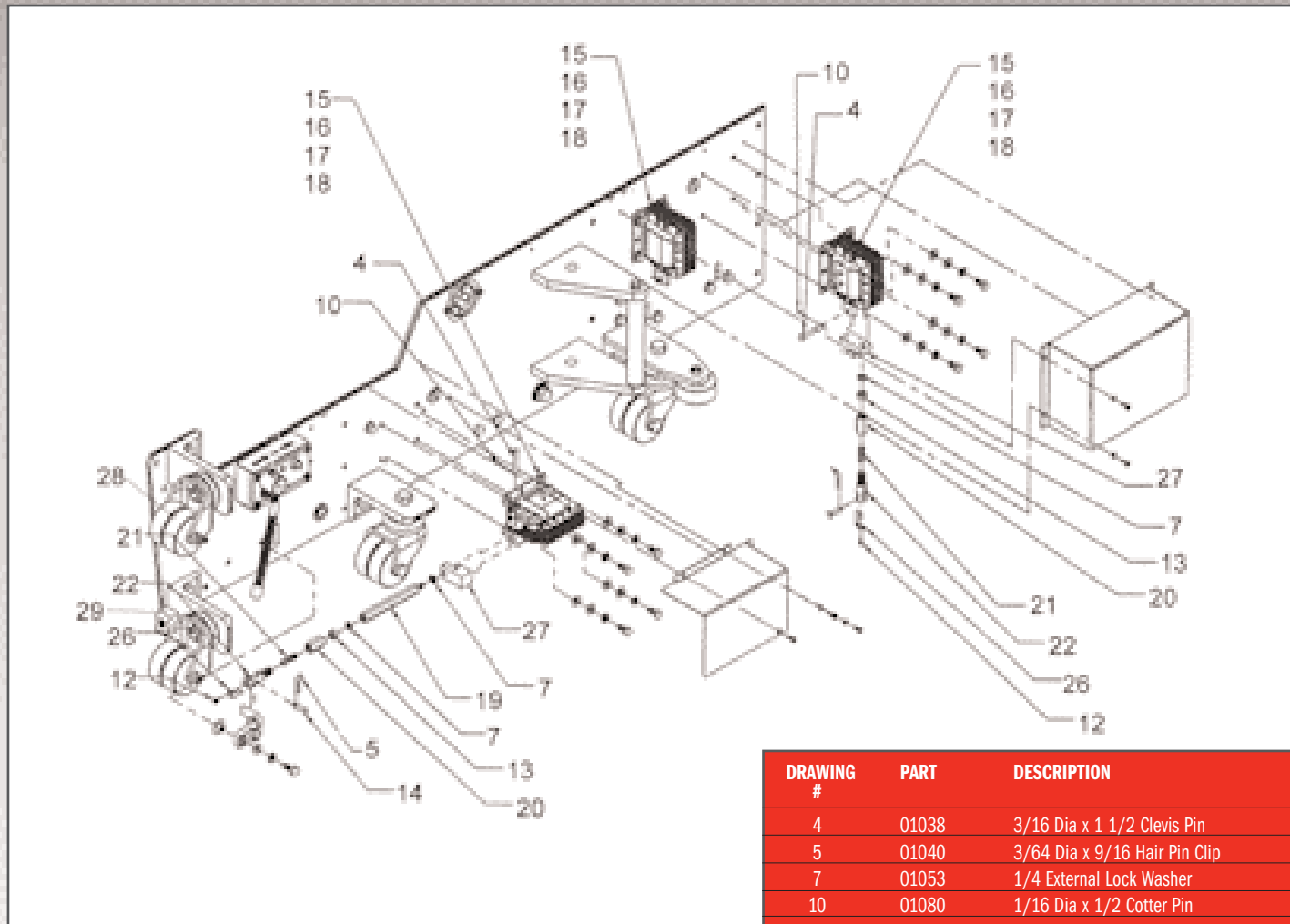


OIL TANKS, CLEANER TANK & DRIP TRAY

DRAWING #	PART	DESCRIPTION
1a	SA2025	Small Compressor Prewired 110V
1b	SA2026	Small Compressor Prewired 220V
3	294002019	Tank Mounting Tube
4	A0884	Tank Spacer
5	SA0264	Filter Mount Assy
6	SA0265	Kip Valve Mount Assy
7a	SA0302	Compressor Solenoid Valve Assy 110V
7b	SA0303	Compressor Solenoid Valve Assy 220V
9	SA0175	Dash end Roller Assy Left
10	SA0176	Dash end Roller Assy Right
11	SA3012	Duster end Plate Roller Assy

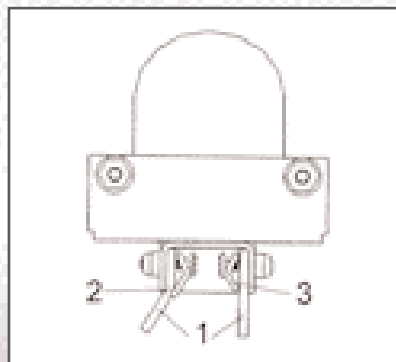


FRAME ASSEMBLY



DRAWING #	PART	DESCRIPTION
4	01038	3/16 Dia x 1 1/2 Clevis Pin
5	01040	3/64 Dia x 9/16 Hair Pin Clip
7	01053	1/4 External Lock Washer
10	01080	1/16 Dia x 1/2 Cotter Pin
12	01135	4-40 x 1/4 Pan Head Machine Screw
13	01214	1/4-28 hex Steel Machine Nut
14	01215	3/16 Dia x 3/4 Clevis Pin
15	294002033	Solenoid 110V
16	294002032	Solenoid 110V
17	294002074	Solenoid 220V
18	294002075	Solenoid 220V
19	A0344	Buffer Linkage Extension
20	A4036	Pressure Adjusting Nut
21	A4037	Pressure Adjusting Swivil
22	A4038	Pressure Linkage Rod
26	A4055	Detent Spring
27	A8328	Solenoid Linkage Block
28	04292	Dual Caster with Dust Cap
29	A0586	Pivot Caster Block

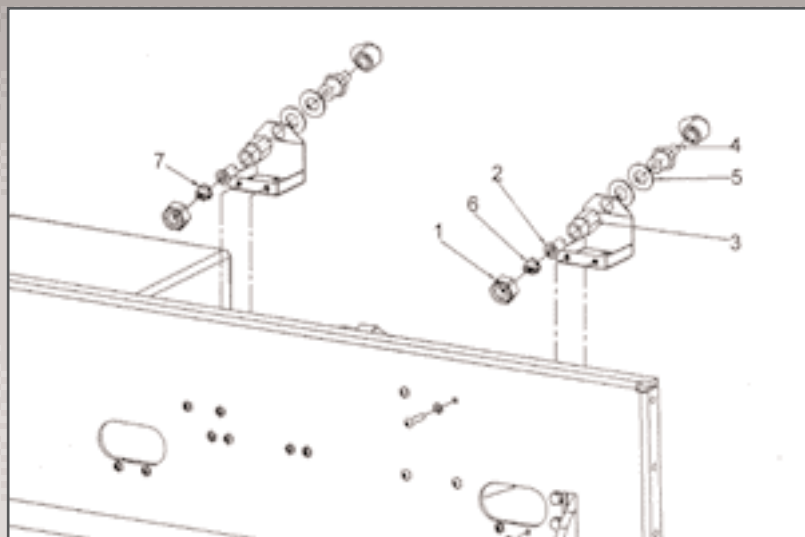
VAC HEAD ASSEMBLY



DRAWING #	PART	DESCRIPTION
1	SV21	Squeegee (sold as each, 2 required)
2	SA0283	Squeegee Bracket REAR
3	SVA4	Squeegee Bracket FRONT

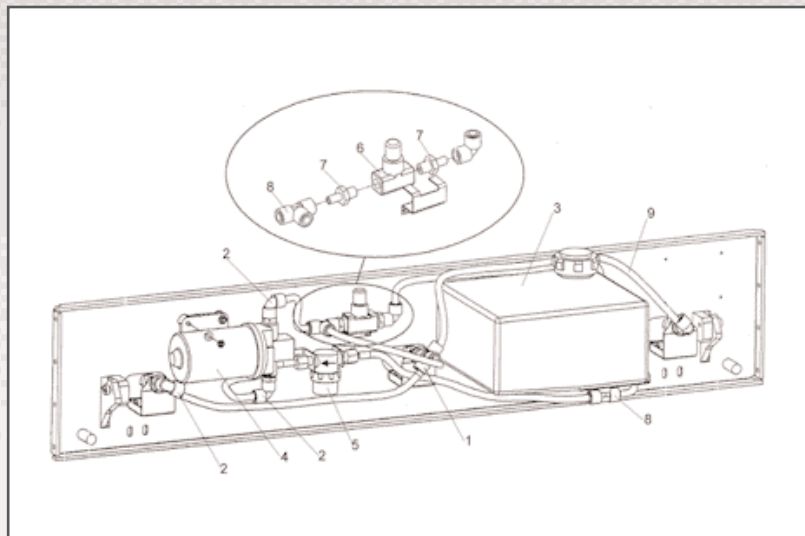
FRONT PLATE ASSEMBLY - FRONT VIEW

DRAWING #	PART	DESCRIPTION
1	294002404	Tip Retainer Unijet 1325
2	294002401	Strainer Check Valve
3	294002403	Nozzle Body
4	294115072	Stem Adapter
5	948975172	Washer 17/32 x 1 1/2
6	294002407	Spray Nozzle Unijet 1501 (for use with left or right nozzle assy only)
7	294002406	Spray Nozzle Unijet 8003 (for use with center nozzle assy only)



FRONT PLATE ASSEMBLY - REAR VIEW

DRAWING #	PART	DESCRIPTION
1	294115076	Cross, Union, Quick, Connect
2	294115073	Elbow, Union, Quick, Connect
3	294115048	Cleaner Tank
4	02206	Cleaner Pump 110V
4	294115287	Cleaner Pump 220V
5	04322	Filter Bowl
6	04112	Volume Valve
7	294115071	Stem Adapter
8	294115074	Tee, Union, Quick, Connect
9	04128	Tube, Tygothane (specify length in feet)



MANUALS

PART	DESCRIPTION
FM 0060	Century Programmer Guide
RP 49 - 1	Operating & Parts Manual - LC 100
RP 128	Operating & Parts Manual - Gemini, Gemini Plus, Silver Bullet
400294005	Operating & Parts Manual - Express
294005007	Operating & Parts Manual - Summit
294005021	Operating & Parts Manual - Summit S

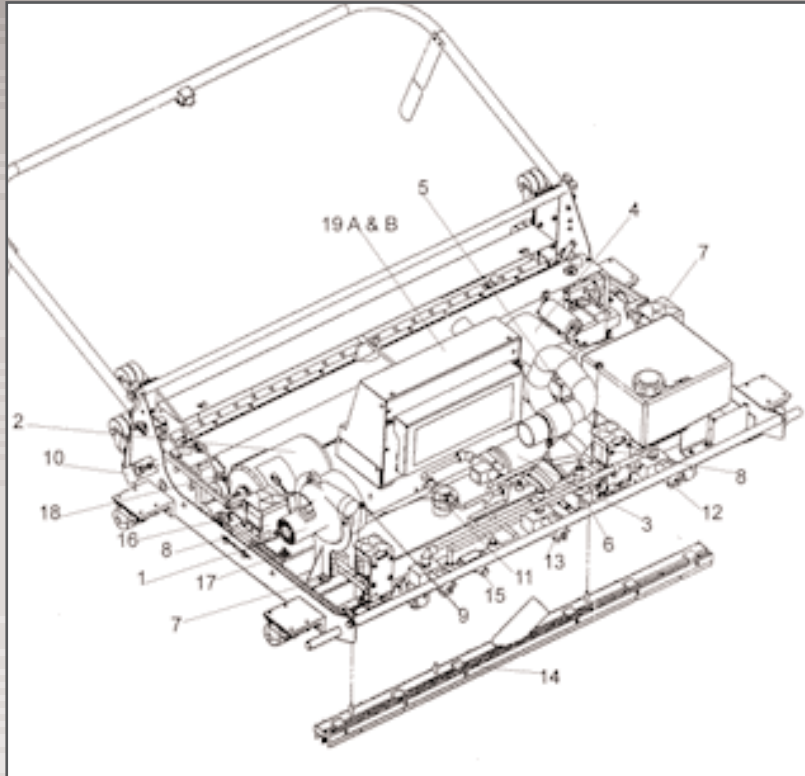
UPGRADE KITS / SPARE PARTS KITS

PART	DESCRIPTION
294005100	Cleaner Pad Upgrade Kit Tank Heater Kit
RP 210	Spare Parts Kit - Summit, Magnum 110V
RP 211	Spare Parts Kit - Summit, Magnum 220V
RP 53 - 1	Spare Parts Kit - 100 Model C & D Solid State
RP 121	Spare Parts Kit - VLS
612150001	Spare Parts Kit - Summit CE

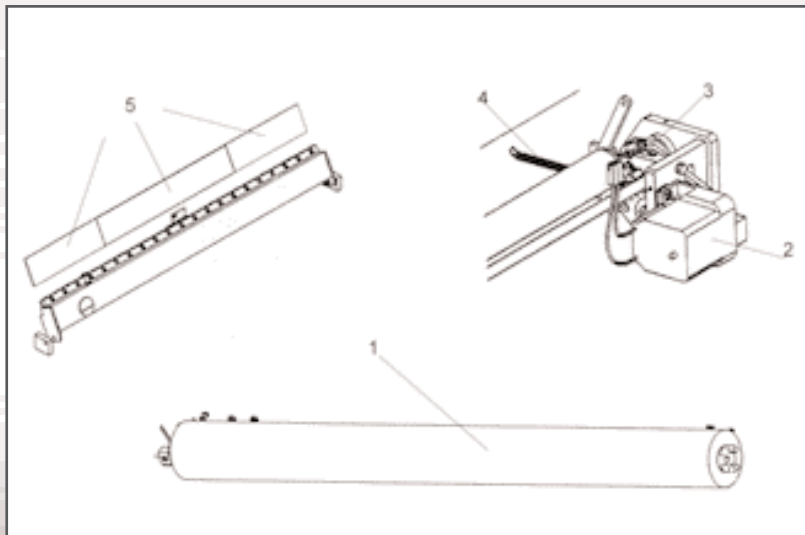
LANE MAINTENANCE EQUIPMENT - EXPRESS

DRAWING #	PART	DESCRIPTION
1a	02214	Vacuum Motor 110V
1b	02255	Vacuum Motor 220V
2a	294115038	Buffer Motor Assembly 110V
2b	294002270	Buffer Motor Assembly 220V
2c	294115049	Buffer Brush Belt
3a	02206	Cleaner Pump 110V
3b	294115287	Cleaner Pump 240V
4a	294115039	Drive Motor: 110V
4b	294115326	Drive Motor: 240V
5	294115046	Encoder
6	294115300	Optical Sensor Assembly Pin Deck
7a	294002032	Solenoid, 110V
7b	294002274	Solenoid, 240V
8a	294002033	Solenoid, 110V
8b	294002275	Solenoid, 240V
9	A8307	Tank Seal
10	294115299	Optical Sensor Assembly Approach
11	02322	Filter Bowl
12	294115067	Nozzle Head
	294115068	Nozzle Tip - Orange
	294115070	Viton Washer
13	294115067	Nozzle Head
	294115069	Nozzle Tip - Green
	294115070	Viton Washer
14	SV72	Squeegee (2 required)
	294115029	Cleaner foam
	SVA4	Squeegee Bracket Weldment
15	294115075	Flow Valve Assembly
16	SA0244	Guide Wheel Assembly
	A0024	Guide Wheel Spring
	A0025	Guide Roller Washer
17	294115404	Drive Wheel
18	A5558	Idler Spring
19a	294115423	Control Box Enclosure Assy 110V
19b	294115424	Control Box Enclosure Assy 240V
n/a	294115366	2A Fuse 115V & 230V
n/a	294115166	4A Fuse 115V & 230V
n/a	294115373	10A Fuse 115V
n/a	194115374	6.25A Fuse 115V
n/a	294115375	8A Fuse 115V
n/a	294115365	1A Fuse 230V
n/a	294115367	5A Fuse 230V

EXPRESS

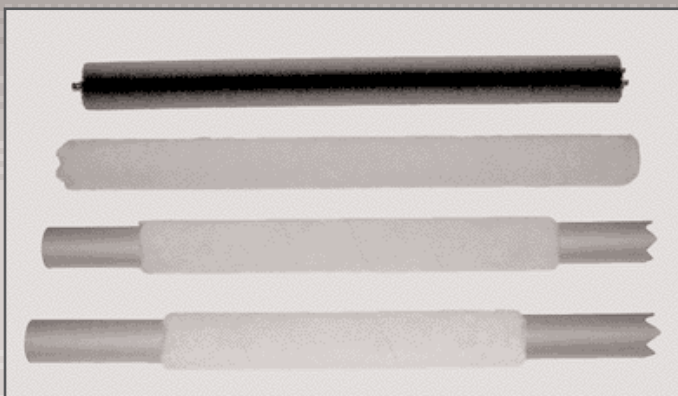


OIL SECTION & FUSES



DRAWING #	PART	DESCRIPTION
1	SA1182	Buffer Tube Assembly
2	294115005	Transfer Roller Motor 110V
	294115268	Transfer Roller Motor 240V
3	A0583	Transfer Roller Spring
4	294115171	Extension Spring
5	294115489	Replacement Foam Black 48"
	294115487	Replacement Foam Blue 48"
	294115485	Replacement Foam Red 48"
	294115483	Replacement Foam Orange 48"
	294115482	Replacement Foam Natural 48"
	294115481	Replacement Foam Green 48"

CONDITIONER APPLICATION BUFFERS



BUFFER TUBE AND COVER ASSY

SA1182	Buffer Brush Assembly
RP110	LDD Buffer Tube Cover
294002302	10 - 10 Buffer Tube Mohair Cover
294002301	7 - 7 Buffer Tube Mohair Cover
SA1106	Buffer Idler Bearing
SA3014	Buffer Adjusting Block Assy
A0079	Rubber Bearing - Drive Bearing
A0409	Buffer Bearing Return Spring
A8328	Solenoid Block - Gemini, AVLS, PC
A0344	Buffer Linkage Extension - Gemini, PC

BUFFING SECTION COMPONENTS & ACCESSORIES

A0420	Brush Drive Coupling End
80024	Buffer Tube Core Replacement
A0548	Buffer Cover Retaining Ring
RP43	Buffer Pressure Adjustment Tool
SA1105	Buffer Drive Bearing - SB, Magnum, PC
SA1106	Buffer Idler Bearing - SB, Magnum, PC
SA3014	Buffer Adjusting Block Assembly
A0078	Rubber Bearing - Drive Bearing
A0409	Buffer Bearing Return Spring
A8328	Solenoid Block - Gemini, AVLS, PC
A0344	Buffer Linkage Extension - Gemini, PC

BELTS

03038	Buffer Motor Belt - 100A, Ultralite, Gemini
03042	Buffer Motor Belt - 100B, C, D
03065	Buffer Motor Belt - ALC, Advantage
03037	Cam Box Belt - 100
03099	Buffer Drive Belt

OIL TANKS & ACCESSORIES

OIL TANKS, FELTS & ACCESSORIES

RP59	Oil Tank Repair Kit
B1032A	20" HF Oil Tank Felt Grey
B1032B	28" HF Oil Tank Felt Grey
B1032C	36" HF Oil Tank Felt Grey
B0227	Oil Tank Retainer
SA313828	28" Oil Tank Assy - 100
SA108836	36" Gemini Style Oil Tank Assy
SA6525	Dip Stick Assy
SA1096	Dip Stick Assy - Gemini
A0263	Viton Dipstick Washer
04093	Viton Washer - Gemini

OIL TANK FUNNELS, SHIMS & GAUGE

RP42	Small Plastic Funnel w/ Screen
RP115	Large Plastic Funnel w/ Screen
RP116	Long Neck Funnel
SA5044	Calibration Kit w/ Shims
RP72	Oil Tank Pressure Gauge Kit w/ Shims
RP72A1	Oil Tank Pressure Gauge Only

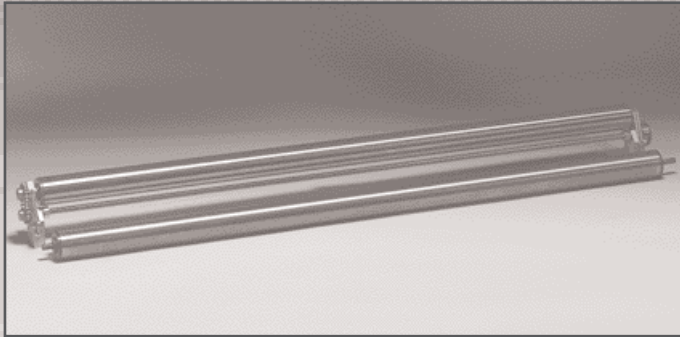
REPLACEMENT TANK PIVOTS & PARTS

SA1065	Oil Tank Adjusting Pivots - 100 & 300
SA1098	Oil Tank Adjusting Pivots - Right - Gemini
A0632	Tank Adjusting Bolt
A0633	Tank Adjusting Pivot Rod
04158	Retaining Ring
294001001	Hitch Pin, Oil Tank

TANK LINKAGE & SPRINGS

SA0299	Headless Hitch Pin
A0603	Tank Pull Rod - Gemini, PC, 100 C & D
A0553	Tank Push Rod - 100 A & B
A5037	Oil Tank Linkage Spring
A5038	Oil Tank Return Spring - 100 C & D, SB
A0231	Tank Tilt Spring Retainer Front - 100 A & B
A0232	Tank Tilt Spring Retainer Rear - 100 A & B
A0233	Oil Tank Spring - 100 A & B
SA1186	Shut Off Arm Spring W/C

TRANSFER ROLLERS



TRANSFER ROLLERS AND ASSEMBLIES

SA3026	Transfer Roller Assy - 100, Gemini, ALC
SA0296	Stainless Transfer Roller Only
A0583	Transfer Roller Spring
SA1023R	Roller Support Arm Assy - Right
SA1023L	Roller Support Arm Assy - Left
SA3023R	Roller Support Block Assy - Right
SA3023L	Roller Support Block Assy - Left
29400205	Guide Roller Spring
294002011	Guide Roller Assy - HVO

ELECTRICAL COMPONENTS

ELECTRICAL FUSES

02150	4A Slow Blow Fuse
02010	6.25A Slow Blow Fuse
02406	10A Slow Blow Fuse
02075	15A Slow Blow Fuse
02522	20A Slow Blow Fuse
02212	10A Fuse
02213	30A Fuse
80055	Fuse Holder

CE FUSES

294002246	Fuse Cartridge 500 MA
294002252	Fuse 2000A 5x20mm
294002253	Cartridge Fuse 3.15 A
294002254	Cartridge Fuse 5A

ELECTRICAL SWITCHES

02009	Start/Stop Switch
0276	Interlock Switch
02023	Reversing Micro Switch
02293	Cam Box Micro Switch w/ Roller
02036	Toggle Switch On/Off
02147	Manual Reverse Switch
02335	Start Push Switch - Magnum, PC Handle

REPLACEMENT DASH LAMPS

02141	Lamp 110V Solid State Machines
02165	Lamp 220V Solid State Machines
RP3	Lamp Non-Solid State Machines
02142	Resistor, 1.25K
02140	Lamp Socket-Solid State Machines
02517	Red Power Light
02518	Green Power Light

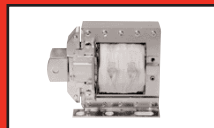
CIRCUIT BOARDS

SA1111	Circuit Board Assy 220V - Solid State Machines
SA6526	Circuit Board Assy 110V - Solid State Machines

POWER CORDS

SA6012	14/3 110V Power Cord Assy
SA1107	12/3 110V Power Cord Assy
SVA31	14/3 220V Power Cord Assy
02338	GFIC End Only
02044	Male Plug End 110V
02044-1	Male Plug End 220V
02090	Female Plug End 110V
02529	Female Plug End 220V
02089	Flush Mount 3 Wire Plug 110V
02528	Flush Mount 3 Wire Plug 220V
SA9017	Cord Arm Assy
B5027	Cord Arm Bracket
04004	Cord Arm Wheel
A0279	Cord Arm Spring

SOLENOIDS



294002033	110V Solenoid - RH Terminals
294002032	110V Solenoid - LH Terminals
294002031	Oil Tank Solenoid 100V - SB, PC

MOTORS, CONTACTORS, PUMPS & REPLACEMENT PARTS



02206	VLS Cleaner Pump 110V
02530	VLS Cleaner Pump 220V
80033	Pump Rebuild Kit
RP107	Buffer Motor Prewired 110V
RP186	Buffer Motor Prewired 220V
RP99	Buffer Motor Shut-Off Kit-100C Solid State Machine
A0597	U Joint
A0598	U Joint Shaft
02525	10:1 Drive Motor 110V
02292	10:1 Drive Motor 220V
02394	Drive Motor Capacitor 110V
RP197	Electronic Brake Kit 110V
RP198	Electronic Brake Kit 220V
RP1	Points - Lower Reversing Unit

CLEANER REPLACEMENT PARTS

VACUUM HEAD ASSEMBLIES & REPLACEMENT PARTS

SV72	Blue Squeegee - VLS 89, 90 & Plus
SV21	Orange Squeegee - VLS, 88, SB, ALS, Chairman
SVA4	Squeegee Bracket Front
SA0283	Squeegee Bracket Rear
A8340	Vacuum Head Tension Rod - SB, Gemini, AVLS
A9032	Vacuum Head Assy - SB, Gemini, AVLS

CLEANER APPLICATION REPLACEMENT PARTS

SA0256	Cleaner Pad Assy - Gemini, AVLS
A0784	Cleaning Fabric Support Rod
B8032	Cleaner Pad Sponge - Gemini, AVLS
RP156	VLS Nozzle Replacement Kit
04161	Spray Jet body - VLS
04163	Spray Jet Cap & Washer - VLS
041230	Spray Jet Tip - VLS
RP127	Valve Body End Cap Diaphragm
C0776	Fabric Cleaning System

CLEANER TANK ASSEMBLIES

SA9053	220V Cleaner tank Assy - SB, Gemini, AVLS
SA0263	Cleaner Tank Assy - Chairman, Magnum, Summit
SVA51	VLS Plus Clean Tank Assy
04322	Filter Bowl - Chairman, Magnum
04160	Clean Tank Filter - VLS

COMMON REPLACEMENT PARTS

02129	Cleaner Solenoid Valve, 110V - SB, Gemini, AVLS
02254	Cleaner Solenoid Valve, 220V - SB, Gemini, AVLS
04353	Brass Elbow Fitting for Cleaner Valve - Chairman
02785	Cleaner Valve - Magnum
RP125	VLS Volume Control Valve
04137	1/4 x 1/4 Panel Mount Coupling Body
04138	1/4 x 1/4 Coupling Insert
A0271	Spring - Cleaner Pad & Vac Head - SB, Gemini, AVLS
A8035	Cleaner Manifold Tube
P0501-72	Brass Orifice Plyg #72 Hole
02785	Kip Valve

DUSTER REPLACEMENT PARTS

A01671	Black Ruber Duster Pressure Roller
SA6514	Carpet Pressure Roller
A0274	Duster Cloth Spring
SA1062	Duster Cloth Drive Tube
A5552	Duster Tube Support
A0271	Spring Duster

WASTE TANK ASSEMBLIES & SEALS

SA1129	Waste Tank Assy - SB, Gemini, Chairman, AVLS
SVA50	VLS Waste Tank Assy w/ Removable Neck
SV96	VLS Plus Waste Tank Seal
04181	Insta - Gasket
A8307	Waster Tank Seal - AVLS
SV83	Vacuum Motor Tank - VLS Plus

MACHINE COMPONENTS

LANE MACHINE REPLACEMENT PARTS

04071	Caster Wheel Assy
04142	Caster Assy - VLS
A0586	Pivot Caster Block
SA3012	Nylon Duster End Plate Roller Assy
80047	Urethane Duster End Plate Roller Assy
SA0175	Urethane Dash End Roller Assy - Left
SA0176	Urethane Dash End Roller Assy - Right
SV90	Urethane Front Lane Roller - VLS
SV91	Front Lane Roller Axle - VLS
SV92	Urethane Rear Lane Roller - VLS
SV93	Rear Lane Rolle Axle
294115404	Drive Wheel Left & Right
A0041	Drive Shaft Bearing
SA1005	Base Plate Guide Wheel Assy
A0022	Base Plate Guide Roller Shaft
A0024	Base Plate Guide Roller Spring
A0025	Base Plate Guide Roller Spacer
SA1006	Front Guide Wheel Assy
A0030	Front Guide Roller Spring
SA3020	Front Guide Bracket Assy - 100
SA6509	Front Guide Bracket Assy - SB, Gemini, AVLS

START BOX REPLACEMENT PARTS

SA3027	Shuft Off Arm Assy - 100
SA1186	Shuft Off Spring w/ Cap
A0113	Shuft Off Arm Retract Spring
SA1048	Start Button Assy
04361	O Ring
A0269	Start Button Spring
SA1049	Shuft Off Arm Assy - SB

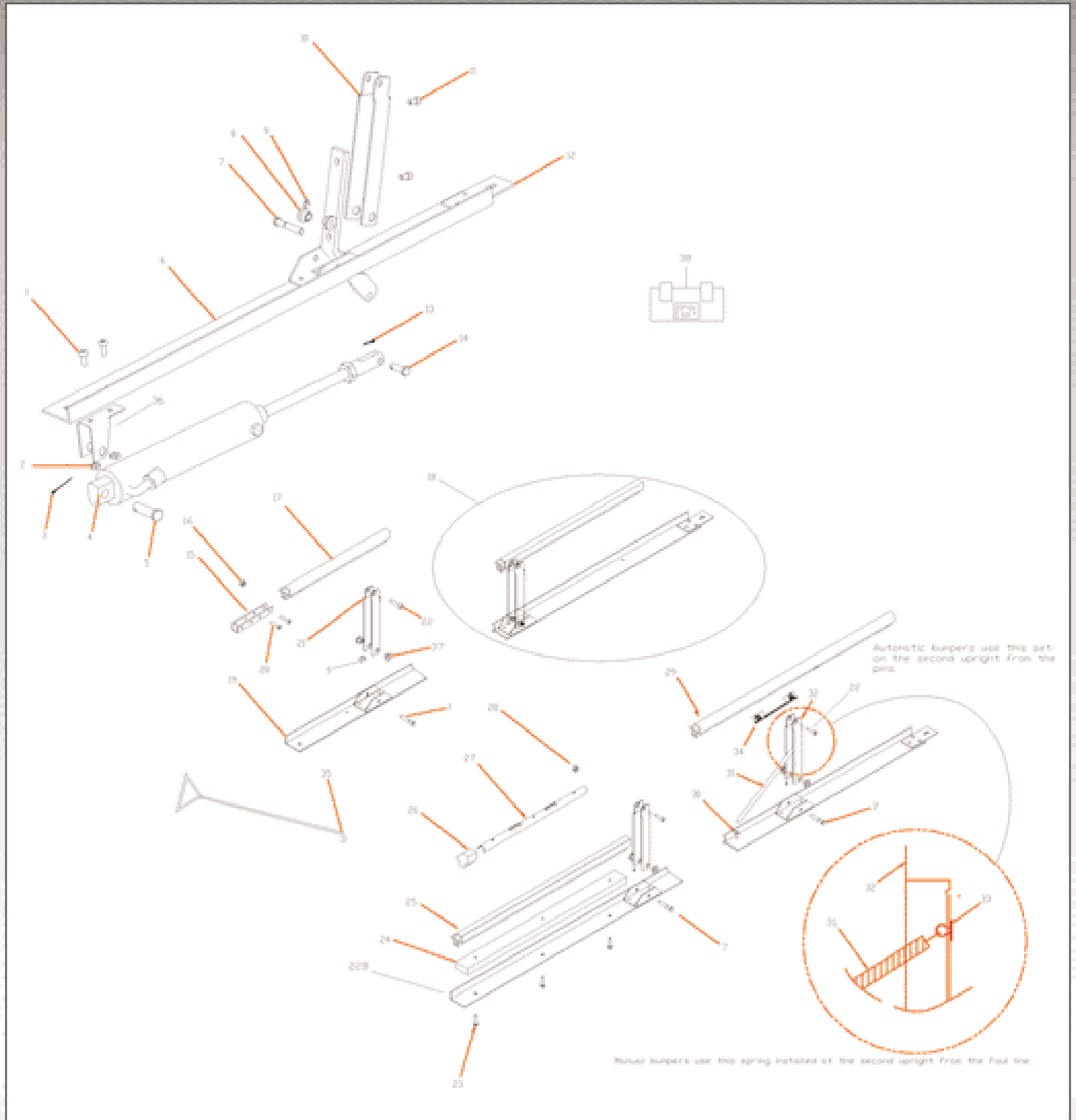
FRAME REPLACEMENT PARTS

B0198	Hood Hanger
043230	Hood Latch - Summit
RP58	Replacement Hardware Kit

UPGRADE KITS

RP197	Electronic Brake Upgrade Kit 110V
RP198	Electronic Brake Upgrade Kit 220V

BUMPER PARTS

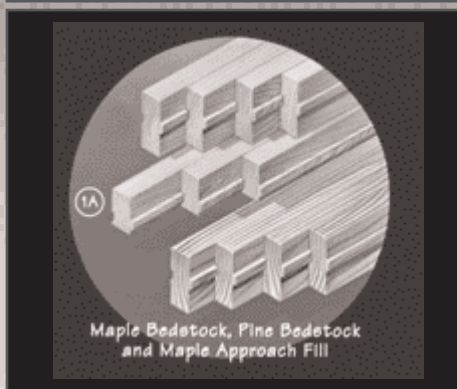


DRAW#	QTY IN SPARE PARTS KITS	PART#	DESCRIPTION
1		813240082	Screw PNHD 10-32 x 1/2 CD
2		838740002	Nut ESTA 10 - 32
3		911023160	Cotter Pin
4		708803006	Cylinder, Double Action
5		911564200	Clevis Pin 3/8 x 1.375
6	1	049007192	Angle Base Weldment RH
6		049007191	Angle Base Weldment LH
7	20	049007037	1/4 x 1 1/2 Clevis Pin
8		049007117	Brass Bushing
9	50	049007058	E-Clip
10		049007183	Activator Arm
11		810049060	Capscrew, Hex Socket Head 1/4 x 2
12		049007173	Auto Opener Sub Assy LH
12		049007174	Auto Opener Sub Assy RH
13		911007080	Cotter Pin, 1/16 x 1/2
14		911548120	Clevis Pin, 1/4 x .875
15	6	049007029	U-Bracket
16	40	049007072	1/4" Locknut - Nylon
17		049007075 - X	10' Plastic Rail Predriller LH/RH (blue, clear, grey, brown, red)
18		049007007 - X	10' Plastic Rail Assy LH/RH (clear, grey, brown)
19		049007016	Angle Base Weldment RH
19		049007017	Angle Base Weldment LH
20		813240890	Screw, Machine, P.H. Phillip
21	6	049007034	Upright Bracket
22		01353	1/4 x 3/4 (10-24) Hex Socket Screw
23		822540950	Thread Forming Screw
24		049007062	Wood Spacer
25		049007078 - X	19.5" Dummy Plastic Rail RH (blue, clear, grey, brown)
25		049007079 - X	19.5" Dummy Plastic Rail LH (blue, clear, grey, brown)
26	10	049007064	Bumper End Cap LH
26	10	049007065	Bumper End Cap RH
27	10	049007056	Steel Insert
28		835549002	NUT - HX - JAM 1/4 - 20
29		049007091 - X	8' 3" Rail Plastic RH (blue, clear, grey, brown, red)
29		049007092 - X	8' 3" Rail Plastic LH (blue, clear, grey, brown, red)
30		822340720	Self Tapping Screw
31	6	049007068	Spring
32		049007179	Spring Hook
33		911023080	1/8" x 1/2" Cotter Pin Zinc
34	10	049007093	H-Bracket Upgrade installation
35		049007011	Bumper Gutter Key
36		049007187	Mounting Cylinder Bracket
37	50	049007042	Nylon Bushing
38	1	049007175	Controller Assembly (automatic kit only)

PARTS NOT SHOWN IN DRAWING

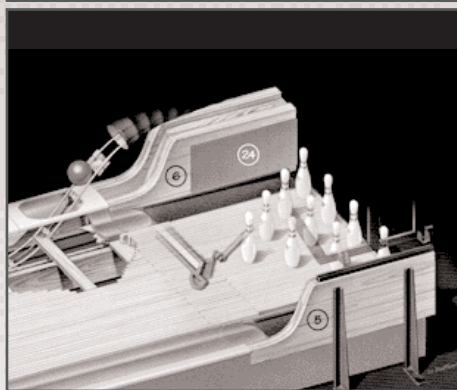
QTY IN SPARE PARTS KITS	PART#	DESCRIPTION
	049007005 - X	Complete Run of Bumper Rail LH (blue, clear, grey)
	049007006 - X	Bumper Rail Pre-Assy LH w/Angle Iron & Plastic 8' 3" Piece (blue, clear, grey, brown)
	049007008 - X	Complete Run of Bumper Rail RH (blue, clear, grey)
	049007009 - X	Bumper Rail Pre-Assy RH w/Angle Iron & Plastic 8' 3" Piece (blue, clear, grey, brown)
1	049007017	Angle Base LH (automatic kit only)
	049007025	10 - 32 x 7/8" Bolt
	049007027	#14 x 2" Lag Screw
	049007033	Gutter Clip
	049007043	Durabowl Bumper Shim Kit
	049007044 - X	Bumper Gutter Coupling - Top (blue, grey, brown)
	049007045	Bumper Gutter Coupling - Bottom
	049007051	Gutter Clip Screw
	049007055	Upright Bracket - 5 Pin
	049007070	Grizzley Bumper Shim Kit
40	049007071	1/4" Shouder Bolt
	049007178	Spring 18"
	049007200 - X	Bumper Round Gutter 14' 7" Durabowl (blue, grey, brown)
1	294007170	E-Clip Tool
	820726122 - X	Gutter Coupling Screws (blue, grey, brown)
100	935037560	Rivet POP Alum 3/16 x 1/4
1	n/a	Pop Rivet Gun
1	n/a	3/16" Drill Bit
1	n/a	Actuator RH (automatic kit only)
	049007095	Manual Bumper Spare Parts Kit
	049007096	Automatic Bumper Spare Parts Kit

LANE BEDS & APPROACHES



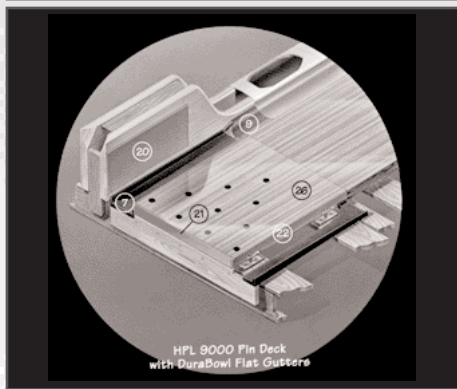
- 1a 049000704 Approach Fill, Maple (Tongue & Groove) 1 5/64" x 1 1/2"
- 049009105 Patching Stock, Maple (random lengths 2 1/2' x 7') 1 5/64" x 3/4"
- 049009205 Patching Stock, Pine (random lengths 2 1/2' x 7') 1 5/64" x 3/4"
- 909172260 Wood Dowel, Maple 11/16"
- 909172000 Wood Dowel, Maple 1/2"
- 909084000 Wood Dowel, Pine 11/16"
- 045006503 Wood Dowel, Walnut 11/16"
- 045006502 Wood Dowel, Walnut 1/2"
- 045006501 Arrow Darts

PIT END SECTION / FIBRE PARTS



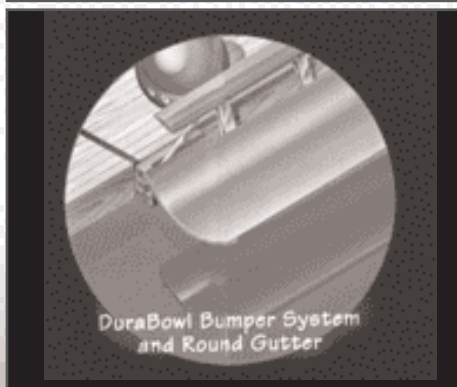
- 049003104 Edge Board with Durabowl Insert (1 5/64" x 2 3/4" x 46")
- 049006620 Edge Board with Fibre Insert
- 049002600 12" Pil Header Plank (Tail Plank) with Durabowl Reinforcement (1 3/4" x 12" x 60")
Requires 5. #20-4" F.H.W.S.
- 049006075 9" Pit Header - no reinforcement
- 049005412 Cleat Plywood - 74 holes (1 3/4" x 12" x 42")
- 5 049001751 AMF Style Kickback with Durabowl Plate - RH
- 049001753 AMF Style Kickback with Durabowl Plate - LH
- 6 049001752 AMF Style Kickback with Durabowl Plate - Double
- 24 049001721 Fibre Kickback Plate 15 x 33"
- 049001001 1/2" Foul Line Fibre (1/2" x 1/2" x 42")
- 049001002 3/4" Foul Line Fibre (1/2" x 3/4" x 42")
- 910537280 3/16" Fibre Dowel (2 per Pin Spot, 6 per Foul Line)
- 049001500 1/2" Pin Spot Fibre (for replacement)
- 049001501 3/4" Pin Spot Fibre

FLAT GUTTER & ACCESSORIES



- 7 049000675 Durabowl Flat Gutters (2 per box - 1 lane fits AMF or Brunswick)
- 049000635 54" Flat Gutter Assembly RH - For Wood Flat Gutters. Includes 2 RH or LH and 12 maple wood dowels 11/16". All lanes require 12 - #16 1 3/4" F.H.W.S.
- 049000625 54" Flat Gutter Assembly LH - For Wood Flat Gutters. Includes 2 RH or LH and 12 maple wood dowels 11/16". All lanes require 12 - #16 1 3/4" F.H.W.S.
- 049006043 - X Durabowl Gutter End Ramp (blue, grey, brown)
- 9 610490238 Universal Gutter Block
- 829642202 #12 x 1 1/4" Screw
- 814852282 #16 x 1 3/4" Screw
- 716008002 6 D Casing Nail

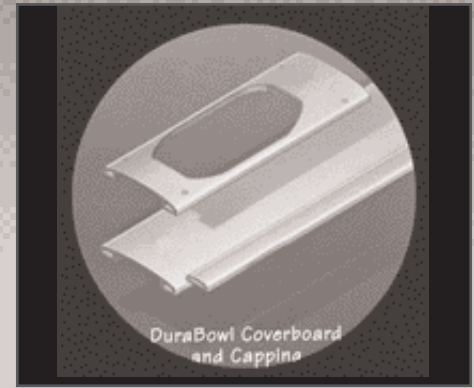
DURABOWL LANE PARTS



- 610494640 - X Coupling Set (3) (blue, grey, brown)
- 049007044 - X Top BumperCoupling (blue, grey, brown)
- 049007045 Bottom Bumper Coupling
- 820726122 - X Gutter Coupling Screw (blue, grey, brown)
- 049000575 Blue End Ramp
- 049000577 Brown End Ramp
- 049006043 Grey End Ramp
- 610494970 - X Gutter Section 15' (blue, grey, brown, red)
- 610494964 Modified Round Gutter Grey
- 610464647 Modified Round Gutter Blue
- 610494650 Modified Round Gutter Brown
- 610490238 Universal Gutter Transition Block
- 049000698 Durabowl 48" - 1/4" Round Fiber Board - For Wood Flat Gutters.
Requires 9 - #10 x 1 1/4" screws, not included.
- 049003116 Durabowl Edge Board Strip - For Edge Boards.
Requires 8 - #8 x 3/4" screw, not included.
- 049001723 AMF Durabowl Kickback Plate 15" x 33" - Requires 1/4 lb. Kickback nails, not included.
- 049001720 Brunswick Durabowl Kickback Plate 15" x 50" - Requires 1/4 lb. Kickback nails, not included.
- 21 049006624 Durabowl Tail Plank
- 22 049006625 Durabowl 1" Edgeboard

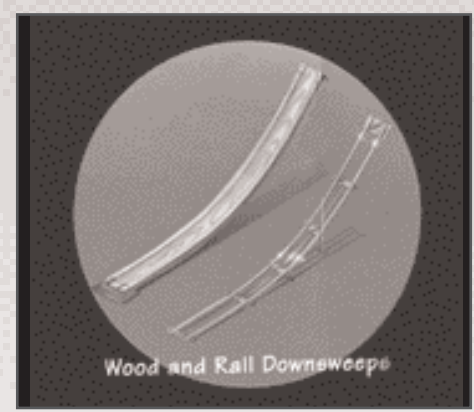
DURABOWL COVERBOARD & CAPPING

049008570	Durabowl Glow Coverboard - everything needed to install a complete run of Coverboards, foul line to kickback. 7 pieces of coverboard 10 1/2" x 96"
049008571	Durabowl Glow 1 Piece Coverboard - 8' x 96", requires 6 # 14 screws and plugs
049006522	Durabowl Capping - everything needed to install a complete run of Capping, foul line to kickback. 8 pieces of capping 2 3/4" x 96"
049008574	Durabowl 1 Piece Capping - 2 3/4" x 96", requires 5 # 14 screws and plugs
049006520	9/16" Diameter Plug
813247080	#14 x 1 1/4" Phillips Pan Screw
049006519	Durabowl Downsweep Enclosure
049008572	Durabowl Glow Downsweep Enclosure
049006689	Durabowl Solid Downsweep Enclosure



NEW STYLE RAIL TRACK

610494444	Track Shims
049006591	Adjustable Rail Downsweep
049006353	Rail Downsweep
049006362	Rail Track 67' 3" Section (8-8' sections, 1-3' 3" section)
049006360	Rail Plastic Runner 150' (2 per run)
049006363	Rail Track Hardware Kit
000029911	Underlane Track Shim
809849125	Bolt Hex Head Screw 1/4 - 20 x 3/4"
951148002	Lockwasher 1/4 - 20
809849085	Bolt Hex Head Screw 1/4 - 20 x 1/2"
000021186	Rail Track Clamp
049006358	Connector Plate
049006359	Rail Adapter Plate



HPL PARTS

049009534	HPL Plugs 1/2 x 1/8 (Bag of 100)
049006772	Pin Deck Tan Plugs (Bag of 10)
049009536	HPL Glow Plugs 1/2 x 1/8 (Bag of 100)



WOOD SCREW & NAILS

049006387	#10 x 1 1/4" Phillips Flat Head Type 17 (HPL Overlay)
049006388	#10 x 1 3/4" Phillips Flat Head Type 17 (HPL Overlay)
829642202	#12 x 1/4" Phillips Flat Head Type 17
814852282	#16 x 1 3/4" Phillips Flat Head (Flat Gutter to Foundation)
814852402	#16 x 2 1/2" Phillips Flat Head (HPL Overlay)
814852482	#16 x 3" Phillips Flat Head 1 3/4" (HPL Lanes to Fintadation - Lane Cleats, Used or premailed Lanes)
814852562	#16 x 3 1/2" Phillips Flat Head (Maple Approach to Foundation)
814852642	#16 x 4" Phillips Flat Head
814852802	#16 x 5" Phillips Flat Head (HPL Pindeck to Foundation)
814859642	#20 x 4" Phillips Flat Head (Wood Lane to Fondation)
716002003	8D Coated Sinkers, 1lb.
716007003	8D Screw Nails 2 1/2", 1lb.
716002004	12D Coated Sinkers, 1lb.
716014011	Kickback nails, 1lb.

TOP COAT

100% SOLIDS UV



The bowling surface of our 100% Solids Top Coat sets it apart from other 100% solids top coats. It's more durable, and its surface gives more conditioner control. Non-flammable, VOC compliant, two component, no solvent odors. Can be used for resurfacing over QubicaAMF 100% Solids Base Coat, MU coats, EasyBase or other compatible base coats, or to recoat itself or other 100% solids top coats and compatible urethane finishes. Kit includes 1 can each Resin and Activator. Each kit coats 1 lane. 8 kits per carton.

Product Code 294007054 UV

QDT URETHANE UV



This moisture cure urethane top coat finish is truly simple to apply. Flows well, levels quickly and dries fast. Not VOC compliant. Excellent for recoats to control finish build-up after multiple recoats. Can be recoated over itself, QubicaAMF HS Urethane top coat or other compatible urethane top coats. 5 gallon metal container. Coats 8-9 lanes.

Product Code 294007057 UV

WATER BASED UV



Durability and bowlability in a water based top coat. Ideal for newer wood lanes, not yet injected. VOC compliant and non-flammable. Can be used as a recoat finish over itself or other compatible water based top coat finishes. 5 gallon polyethylene container. Coats 9-10 lanes.

Product Code

294007074 UV Water based topcoat 5 gal.
294007044-1 Water Based Catalyst

BASE COAT

100% SOLIDS



The bowling surface of our 100% Solids Top Coat sets it apart from other 100% solids top coats. It's more durable, and its surface gives more conditioner control. Non-flammable, VOC compliant, two component, no solvent odors. Can be used for resurfacing over QubicaAMF 100% Solids Base Coat, MU coats, EasyBase or other compatible base coats, or to recoat itself or other 100% solids top coats and compatible urethane finishes. Kit includes 1 can each Resin and Activator. Each kit coats 1 lane. 8 kits per carton.

Product Code 294007043 UV

WATER BASED



QubicaAMF Water Based Base Coat is a high solids, flexible base coat finish that is durable, works to control oil penetration and minimizes feathering. It's ideal for newer wood lanes. VOC compliant, non-flammable with low odor. 5 gallon polyethylene container. Recommended two coats. Coats 5-6 lanes with two coats.

Product Code

294007044
294007044-1 Water Based Catalyst

PREBASE STAIN



Recommended for use with all 100% solids base coats, MU Coats, EasyBase or other similar base coats. With a low cost per lane, PreBase Stain is an easy to apply, fast-drying, solvent-based urethane that penetrates the lane and prepares the lane for the base coat application. PreBase Stain strengthens wood structure, providing a superior foundation for the base coat. A slight pigmentation brightens lanes discolored by oil penetration. 5 gallon metal container. Coats 18-20 lanes.

Product Code 294007049

MULTI-USE FINISH

"MU Technology is a chemical formulation breakthrough that manages the critical relationship between lane surface, lane conditioner, carry down effects and bowling ball dynamics to create good ball reaction. Let QUBICAAMF's MU finish help you help your bowlers."

FORMULA MU™ UV



An excellent coating as either a 100% solids base coat or top coat. Formulated to provide an even stronger barrier to the problem of oil penetration when used as a base coat. When used as a top coat, FormulaMU adheres well to a traditional 100% solids base coat or to itself. FormulaMU gives a stronger back-end reaction than traditional 100% Solids Top Coats, has superior oil retention and minimizes the effects of carry down. VOC compliant, non-flammable with low odor. Kit includes 1 can each Resin and Activator. Each kit coats 1 lane. 8 kits per carton.

Product Code 294007085 UV

EASY MU™ UV



Provides all the advantages of FormulaMU with easy application. When used as a base coat, EasyMU establishes a strong barrier to oil penetration. As a top coat, EasyMU adheres well to both a 100% solids base coat or to itself, has superior oil retention and minimizes the effects of carry down. VOC compliant, non-flammable with low odor. Kit includes 1 each Resin and Activator. Each kit coats 4-5 lanes. One kit per carton.

Product Code 294007084 UV

APPROACH FINISH

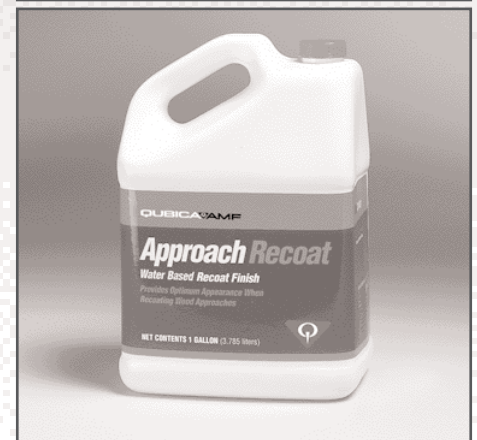
WATER BASED APPROACH FINISH



Excellent durability and slide characteristics make Water Based Approach Finish an ideal approach finish. VOC compliant, non-flammable with low odor. One gallon coats 4 approaches.

Product Code 294007151 1 gallon
294007050 4 x 1 gallon

WATER BASED RECOAT APPROACH FINISH

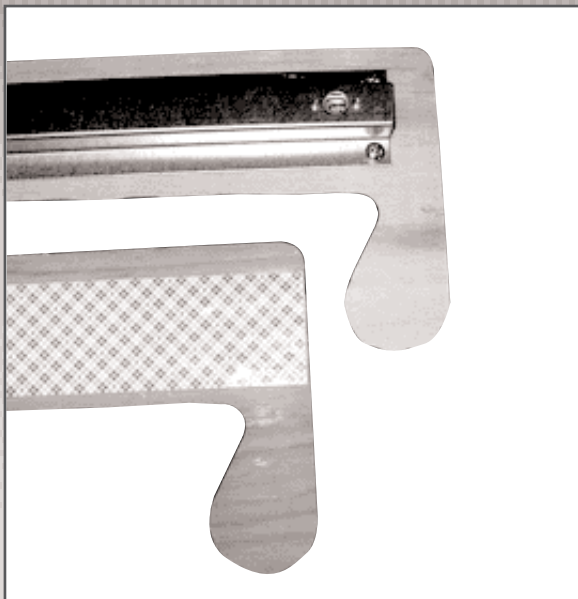


Water Based Recoat Approach Finish is very durable and is ideal for use when recoating approaches. Helps control slide characteristics. Not recommended for use during approach resurfacing. VOC compliant, non-flammable, low odor. One gallon coats 5 approaches.

Product Code 294007161 1 gallon
294007066 4 x 1 gallon

LANE APPLICATORS & REFILLS

REFILLS



APPLICATOR TYPE	WITH BRACKETS		WITH TAPE	
Easy Foam Applicator	294147412 294007107	Single Refill Four Pack	294147413 294007108	Single Refill Four Pack
High Solids - Long Nap	294007033 294007071	Single Refill Four Pack	294147420 294007094	Single Refill Five Pack
Long Nap	294007064 294007073	Single Refill Four Pack	294147418 294007092	Single Refill Five Pack
Regular Nap	294007029 294007069	Single Refill Four Pack	294147422 294007096	Single Refill Five Pack
Regular Nap - Foam Back	294007030 294007070	Single Refill Four Pack	294147421 294007095	Single Refill Five Pack
Prebase Stain	294007036 294007072	Single Refill Four Pack	294147419 294007093	Single Refill Five Pack

LANE APPLICATORS

MULTI-PURPOSE

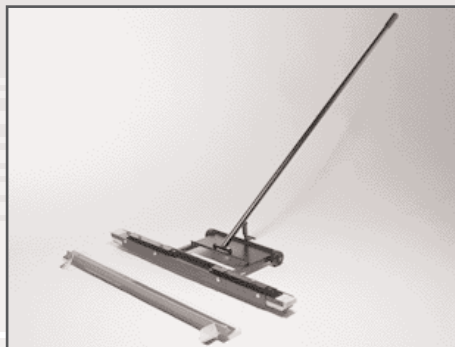


MULTI-PURPOSE FINISH APPLICATOR KIT

Complete kit for applying all Moisture Cure Urethane, Easy, Water Based and Lacquer lane finishes. Quick disconnect applicator with 1/4 turn fasteners. Side carrying handle adjusts to four positions. Applicator weights are designed for lateral adjustment. Order applicator refills separately.

Product Code 294600301 **Kit**

100% SOLIDS



100% SOLIDS APPLICATOR KIT

Complete kit for applying all 100% solids lane finishes. Features foot operated release latch and durable construction. Designed for easy assembly, disassembly, storage and use. Applicator weights are designed for lateral adjustment. Kit includes two refills.

Product Code 294600302 **Kit**
294007032 **Two Refills**

WATER BASED APPROACH



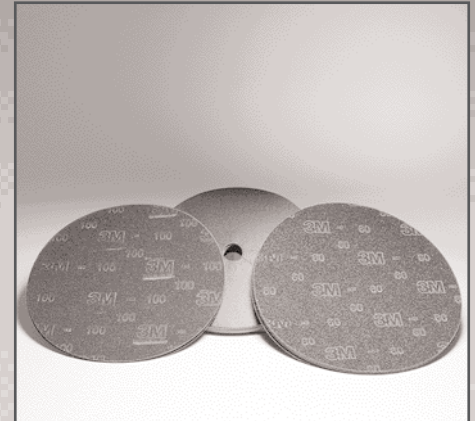
WATER BASED APPROACH APPLICATOR KIT

Simple and easy to use, this applicator is traditional in design but lighter in weight. Two piece handle allows for easy transport between job sites. Includes one refill.

Product Code 294600300 **Kit**
294007031 **Single Refill**

ROTARY ABRASIVES

80 Grit Sanding Screen Discs.	Product Code	294007009-4	18" diameter
		294007010-4	19" diameter
100 Grit Sanding Screen Discs.	Product Code	294007010-3	19" diameter
120 Grit Sanding Screen Discs.	Product Code	294007009-2	18" diameter
320 Grit Sanding Screen Discs.	Product Code	294007100-1	18" diameter
		294007101-1	19" diameter
Resinite Lane Sanding Discs. 19" Diameter x 2" C.H. with 8 Slots 1 1/2" long.	Product Code	294007089-3	60 Grit
		294007089-2	80 Grit
		294007089-1	100 Grit



ROTARY SANDING SUPPLIES

All QubicaAMF 3TM rotary sanding screens and disks are made with silicon carbide abrasive for strength and durability.

SUPPLIES



RESURFACING & RECOATING SUPPLIES

Epoxy Injection. Injection of wood lanes is a proven method of extending the life of your lanes and increasing customer satisfaction. Requires 2 parts Compound A to 1 part Hardener B.

Product Code	294007081	Compound A
	294007082	Hardener B

TACK CLOTH

Pre-cut sheets. 43" x 9", unfolds to 43" x 36".

Product Code	294007041	100 sheets/pkg
---------------------	------------------	-----------------------

Finish Pull Approach Paper.

Product Code	294007088	18" x 1100' roll
---------------------	------------------	-------------------------

Oil Lift. Oil absorbent compound.

Product Code	294007078	50 lb. box
---------------------	------------------	-------------------

Lane Finish Pour Can - 8 quart

Product Code	294117049
---------------------	------------------

Tack Cloth. 150 yd. roll. Cut to 43" x 9", unfolds to 43" x 36".

Product Code	294007080
---------------------	------------------



Epoxy Patch. Easy to use, makes lane repair simple.

Product Code	294007075	(75 ml)
	294007105	(300 ml)

Epoxy Patch Trigger Dispenser. Supplied with 1:1 mixing plunger.

Product Code	294007062	(75 ml)
	294007106	(300 ml)

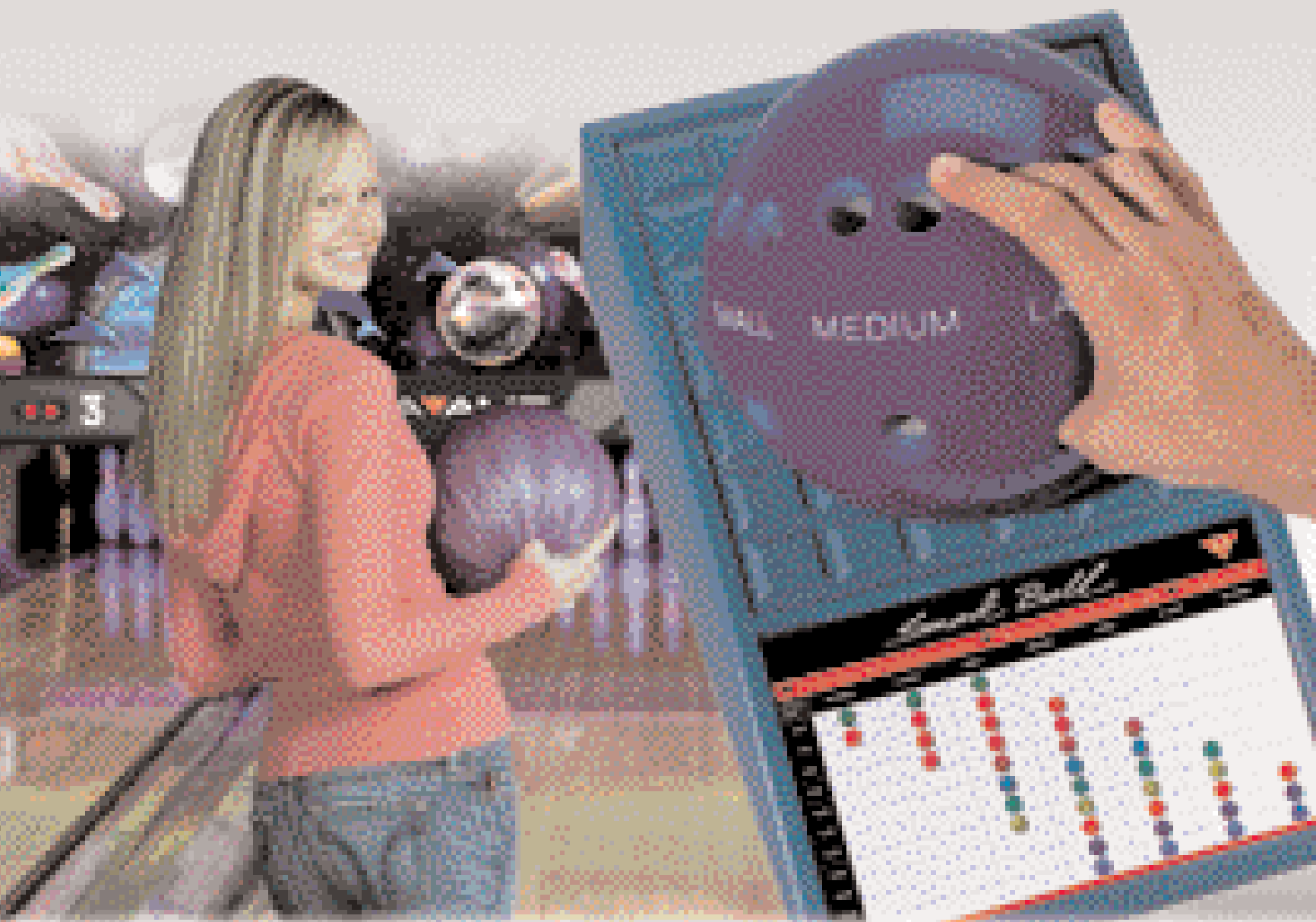
Plunger. For use with QuibicaAMF Epoxy Patch. Replaces 50 ml plungers from older non-trigger dispensers.

Product Code	294007099	(75 ml)
---------------------	------------------	----------------

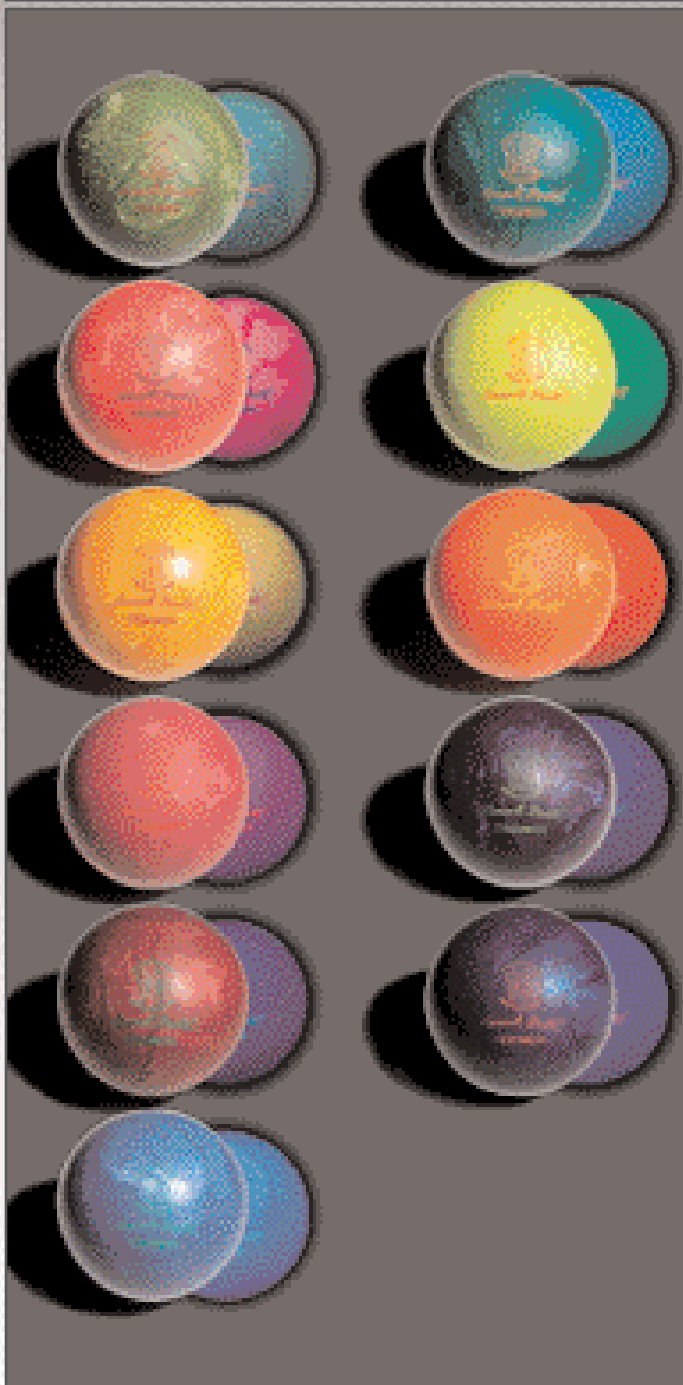
Epoxy Patch Mixing Nozzle.

Product Code	294007063	(75 ml)
	294007104	(300 ml)

**WHEN BOWLERS
FIND THE RIGHT BALL
FASTER, THAT'S SMART.
WHEN IT ALSO IMPROVES
YOUR BOTTOM LINE,
THAT'S BRILLIANT.**

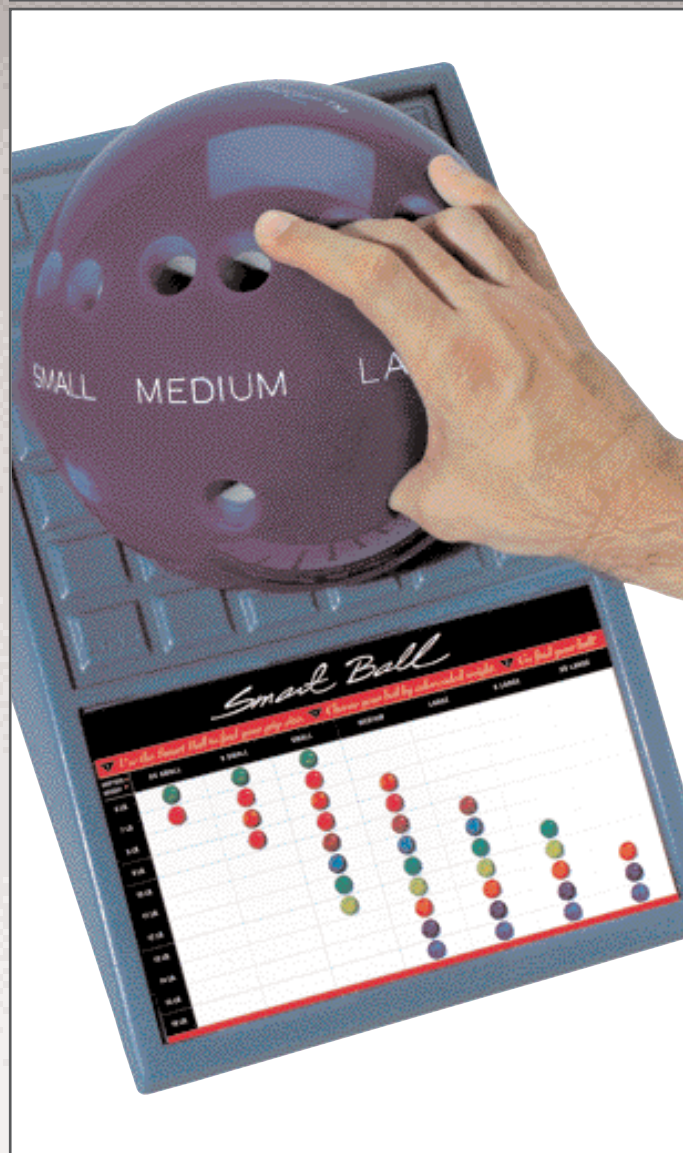


QUBICAAMF XTREME™ PEARLIZED SMART BALL



QubicaAMF XTREME™ SMART BALLS – Our urethane Xtreme Pearlized Smart Ball colors glow vibrantly under black light. You can order them individually or as a complete Smart Ball package in the following weights and colors with a two-year warranty. • 6 lb. lime • 7 lb. pink • 8 lb. peach • 9 lb. lavender • 10 lb. red • 11 lb. sky blue • 12 lb. green • 13 lb. lemon • 14 lb. tangerine • 15 lb. purple • 16 lb. blue

SMART BALL PACKAGE



SMART BALL PACKAGE – Everything you need to get rolling is included in one complete package: fitting ball with stand, fitting poster and Xtreme™ Smart Balls.

QubicaAMF SMART BALL SYSTEM – Get your bowlers from your concourse to your lanes faster with our Smart Ball System. The fitting ball and color-coded chart mean bowlers grab the perfect ball in seconds. And your center is grabbing the profits moments later.

**PUT YOUR BOWLERS
IN OUR COMFORTABLE
DUAL-SIZED RENTAL SHOES
AND WATCH THEM
BOWL LONGER.**



FRESH CARE



Fresh Care aerosol and pump liquid spray effectively deodorize rental shoes as well as hard, non-porous surfaces and bowling equipment.

Product Code:

294007058 16 oz. Aerosol
047000100 1 qt. Liquid

RENTAL SOCKS



Sold by the dozen pair

Product Code	Men's Ankle	038800001
	Men's Crew	038800002
	Women's	038800003



GLOW SHOE LACES (SOLD BY IN THE DOZEN)

Product Code	36"	038900036
	40"	038900040

GLOWING ACCENTS DUAL-SIZED RENTAL SHOES

GLOWING ACCENTS RENTAL SHOES

Bowlers will appreciate QubicaAMF dual-sized shoes for their comfort and obvious quality. You'll like the way they last and how they come in both men's and women's widths for better inventory control and flexibility. • Both men's and women's sizes are prominently marked on the shoe heel for easier substitution by staff • Durable cowhide leather uppers and soles • Rugged 360° genuine Goodyear® welt construction • Heavy-duty glow laces and glow eyelets • Built-in security works with Sensormatic® door sensors (Premium shoes only).

PREMIUM



New Italian design combines full grain leather uppers, a padded collar, and an improved foot bed - nearly twice as thick as a dress shoe - in an exceptionally comfortable, durable bowling shoe. 1 year warranty. Available in red/black in the following sizes:

MEN	-	-	-	5 6.5	5.5 7	6 7.5	6.5 8	7 8.5	7.5 9	8 9.5	8.5 10	9 10.5	9.5 11	10 11.5	10.5 12	11 12.5	11.5 13	12 13.5	12.5 14	13 14.5	14 15.5	15 16.5	16 17.5	17 18.5	18 19.5
WOMEN	5 3.5	5.5 4	6 4.5	6.5 5	7 5.5	7.5 6	8 6.5	8.5 7	9 7.5	9.5 8	10 8.5	-	11 9.5	-	12 10.5	-	-	-	-	-	-	-	-	-	-

VALUE



Constructed of durable cowhide leather. Six-month warranty. Available in green/brown in the following sizes:

MEN	-	-	-	5 6.5	5.5 7	6 7.5	6.5 8	7 8.5	7.5 9	8 9.5	8.5 10	9 10.5	9.5 11	10 11.5	10.5 12	11 12.5	11.5 13	12 13.5	12.5 14	13 14.5	14 15.5	-	-	-	-
WOMEN	5 3.5	5.5 4	6 4.5	6.5 5	7 5.5	7.5 6	8 6.5	8.5 7	9 7.5	9.5 8	10 8.5	-	11 9.5	-	-	-	-	-	-	-	-	-	-	-	-

VELCRO® UNISEX AND YOUTH



Quick and easy to put on, these durable cowhide shoes have Velcro fasteners, a clean and neat appearance, and simplify inventory control. In the following sizes:

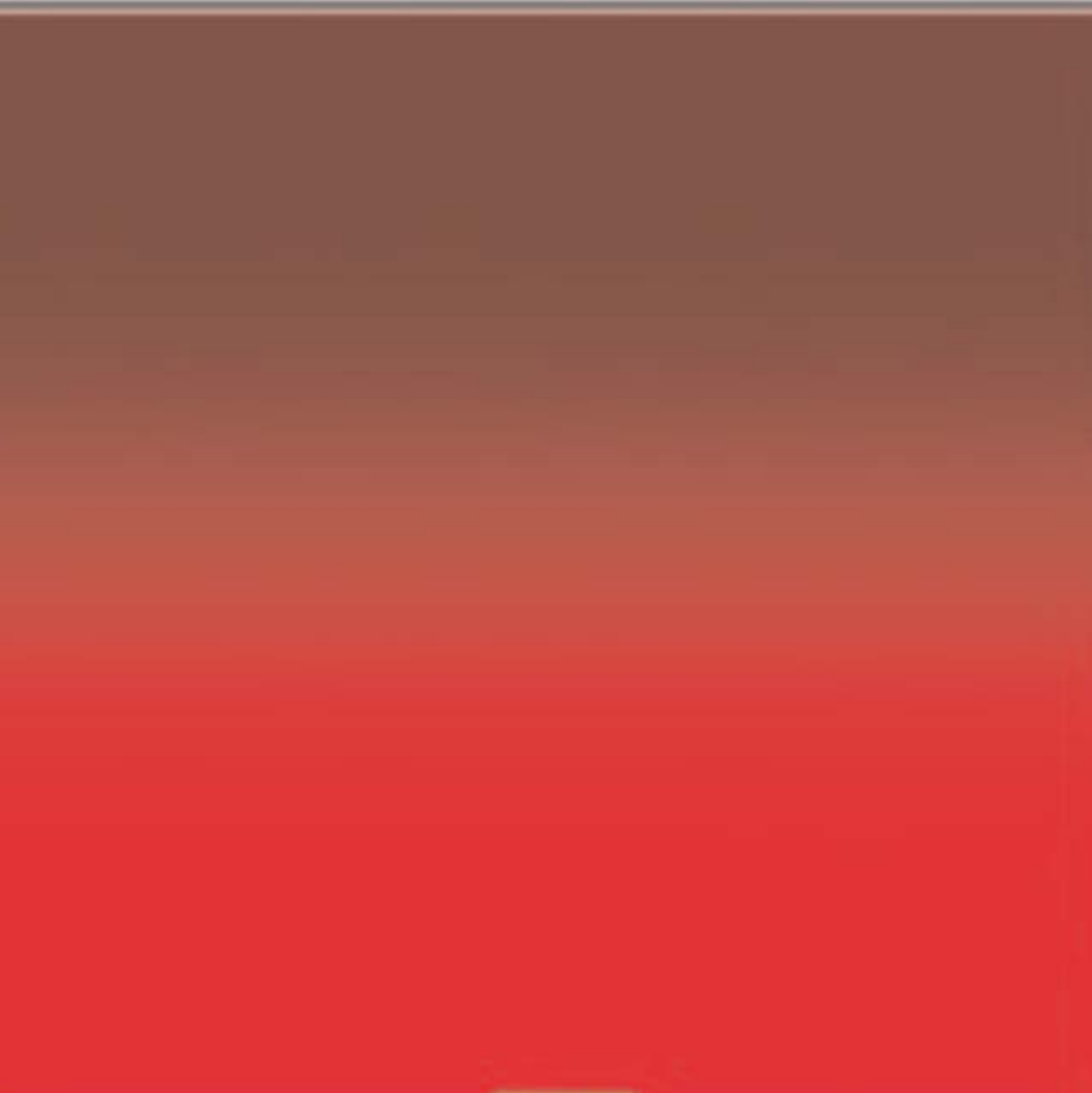
UNISEX	-	-	-	5 6.5	5.5 7	6 7.5	6.5 8	7 8.5	7.5 9	8 9.5	8.5 10	9 10.5	9.5 11	10 11.5	10.5 12	11 12.5	11.5 13	12 13.5	12.5 14	13 14.5	14 15.5			
YOUTH	-	-	-	-	-	-	-	-	-	-	1 2.5	1.5 3	2 3.5	2.5 5	3 4.5	3.5 5	4 5.5	4.5 6	-	-	-			
CHILD	6	7	8	9	10	11	12	13	1	2	-	-	-	-	-	-	-	-	-	-	-	-	-	-

THERE'S MORE THAN ONE WAY TO GET IN TOUCH WITH QUBICAAMF

Making it easy for you to reach QubicaAMF is just as important to us as getting our quality products into your hands.

Contact us via phone, fax, web and e-mail and be served by people whose expertise and helpfulness make it easy for you to do business with QubicaAMF.

- ▼ To order Genuine AMF and B-2 Parts and Supplies, contact your local Genuine AMF or B-2 Distributor or visit AMF Direct at www.amfdirect.com
- ▼ To learn more about Genuine AMF and B-2 Parts and Supplies, or to locate a distributor near you, visit www.quibcaamf.com
- ▼ To speak to a live person, call 1-866-460-QAMF (7263)
- ▼ To reach us by fax, dial (804) 730-4464
- ▼ To join in on our interactive Products Forum that provides you with a direct link to discussion among peers worldwide, visit <http://forum.amfproducts.com>
- ▼ Still want to write? Send it to QubicaAMF Worldwide Consumer & Support Products, 8100 AMF Drive, Mechanicsville, VA 23111, USA



www.gubimart.com
www.gubimart.com
www.gubimart.com
www.gubimart.com



© 2006 QubicaAMF Worldwide

www.gubimart.com
www.gubimart.com
www.gubimart.com
www.gubimart.com